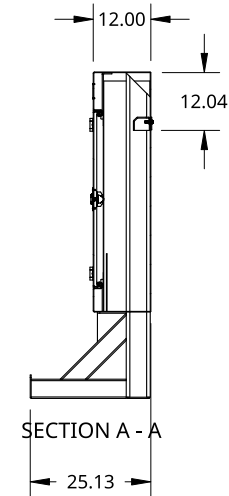
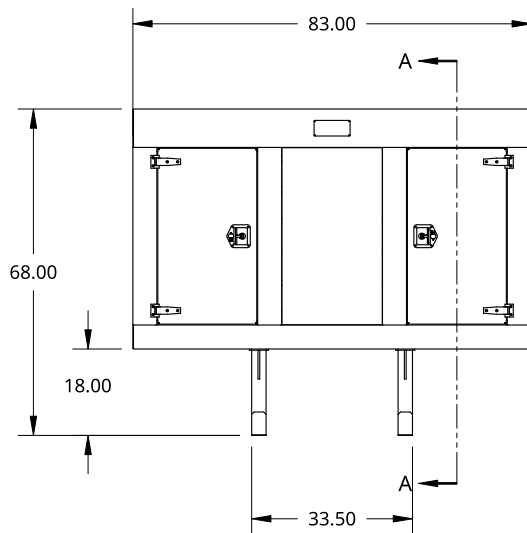
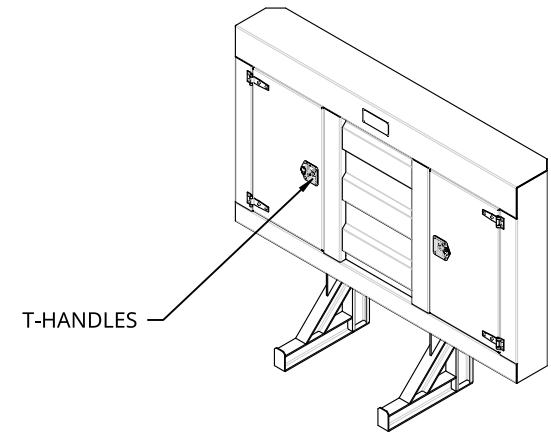
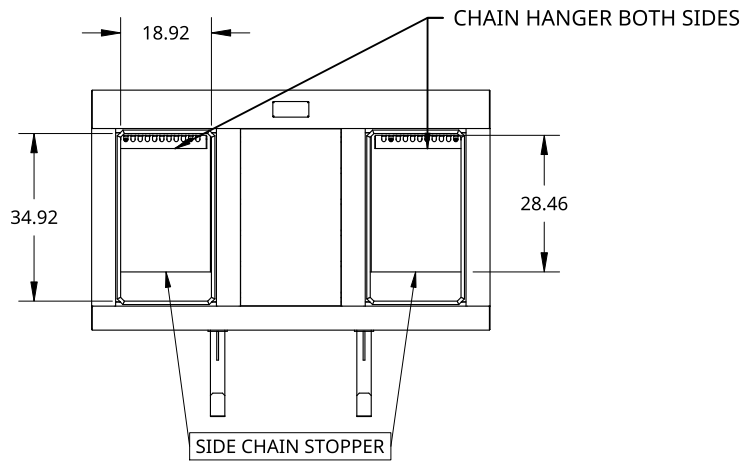


2

1



B

B

A

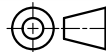
A

THIS DOCUMENT IS THE PROPERTY OF TREBOR MANUFACTURING. ANY UNAUTHORIZED REPRODUCTION WILL BE PROSECUTED TO THE FULL EXTENT OF THE LAW

UNLESS OTHERWISE SPECIFIED, DIMENSIONS ARE IN INCHES

.XX = ±.1-
.XXX = ±.015- ANGULAR = ±1°
.XXXX = ±.005- FRACTIONAL = ±1/8

THIRD ANGLE PROJECTION



DRAWN SHAWN CROCKER 08/11/2021

MATERIAL
1/8 ALU MILL

PART NO. TR2DPL6883 REV. A

STANDARD COMPARTMENT CAB SHIELD - TWO DOORS - T-HANDLE - 68IN HIGH X 83IN WIDE

SIZE A DWG NO. D10180 REV. A

SCALE 1:40 WEIGHT 270.1 LB SHEET 1 of 1

2

1