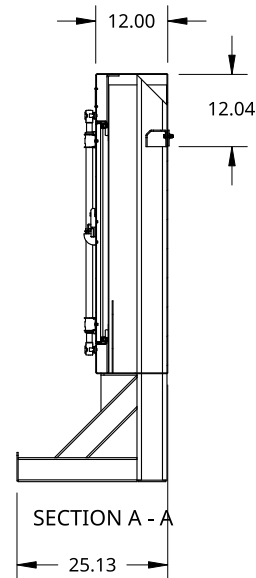
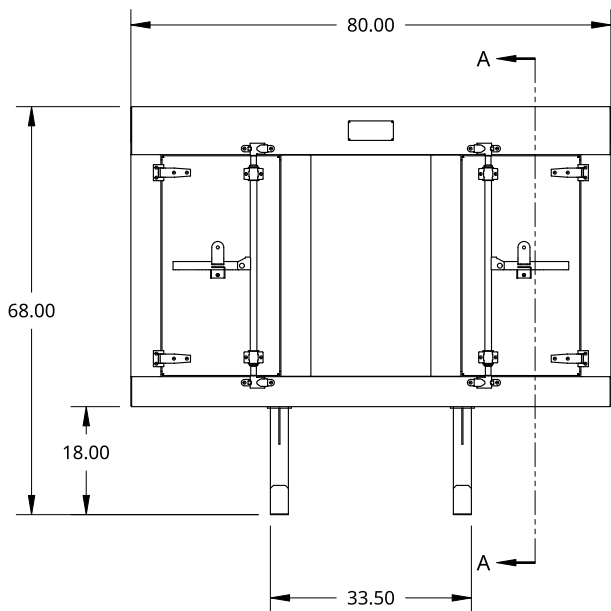
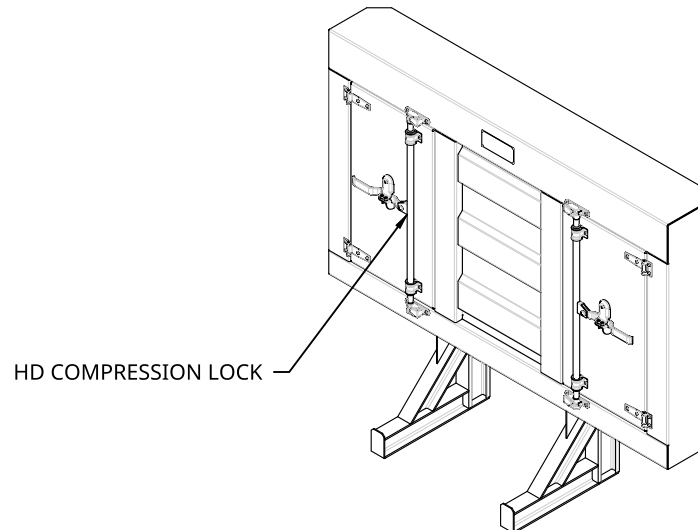
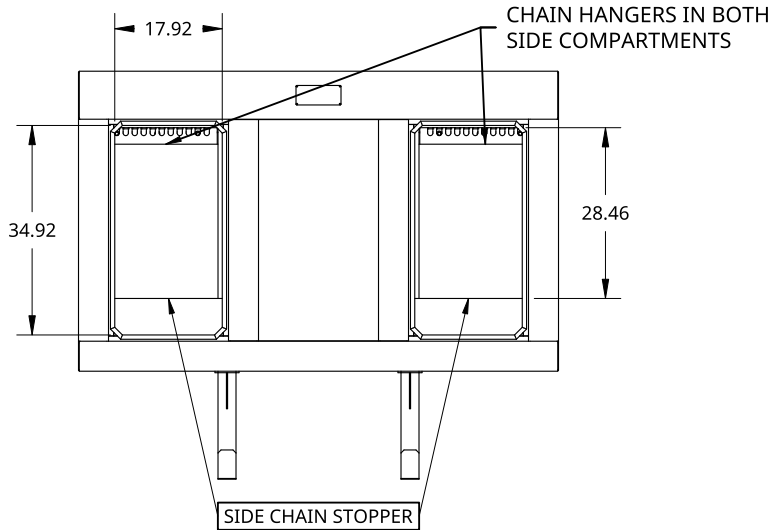


2

1



B

B

A

A

THIS DOCUMENT IS THE PROPERTY OF TREBOR MANUFACTURING. ANY UNAUTHORIZED REPRODUCTION WILL BE PROSECUTED TO THE FULL EXTENT OF THE LAW



PART NO. TR2DPL6880P REV. A

UNLESS OTHERWISE SPECIFIED, DIMENSIONS ARE IN INCHES

.XX = ±.1-
.XXX = ±.015- ANGULAR = ±1°
.XXXX = ±.005- FRACTIONAL = ±1/8

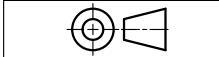
DRAWN BY	SHAWN CROCKER	06/16/2023
CHANGED BY	SHAWN CROCKER	06/20/2023

STANDARD COMPARTMENT CAB SHIELD - TWO DOORS - COMPRESSION LOCK - 68IN HIGH X 80IN WIDE

THIRD ANGLE PROJECTION

MATERIAL

SIZE A DWG. NO. D31574 REV. A



1/8 ALU MILL

SCALE	1:32	WEIGHT	284.6 LB	SHEET	1 of 1
-------	------	--------	----------	-------	--------

2

1