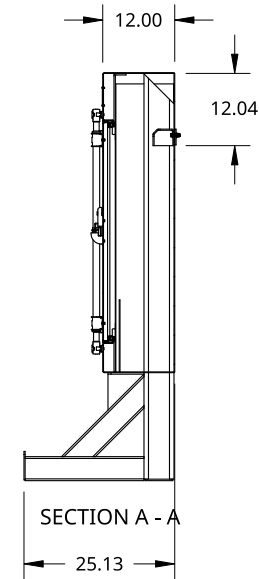
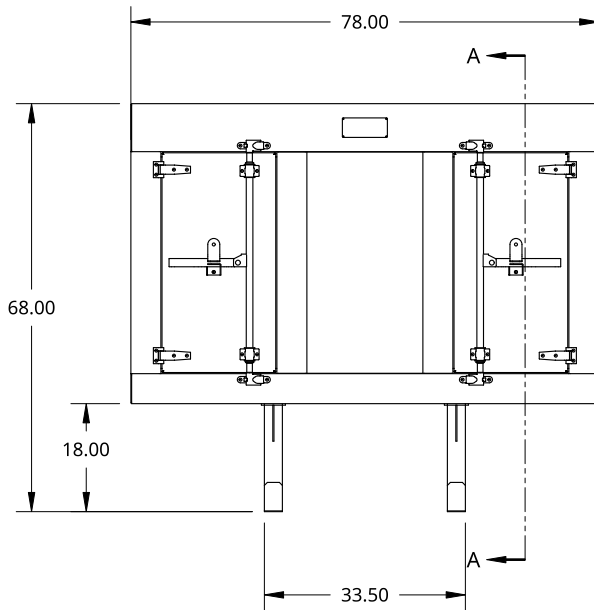
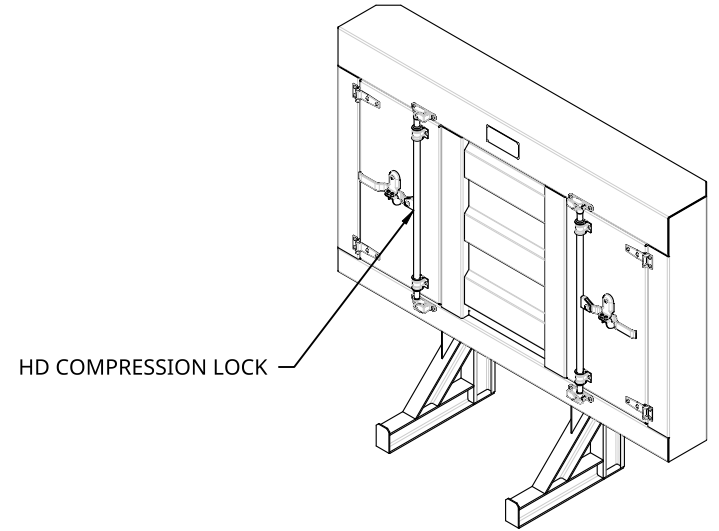
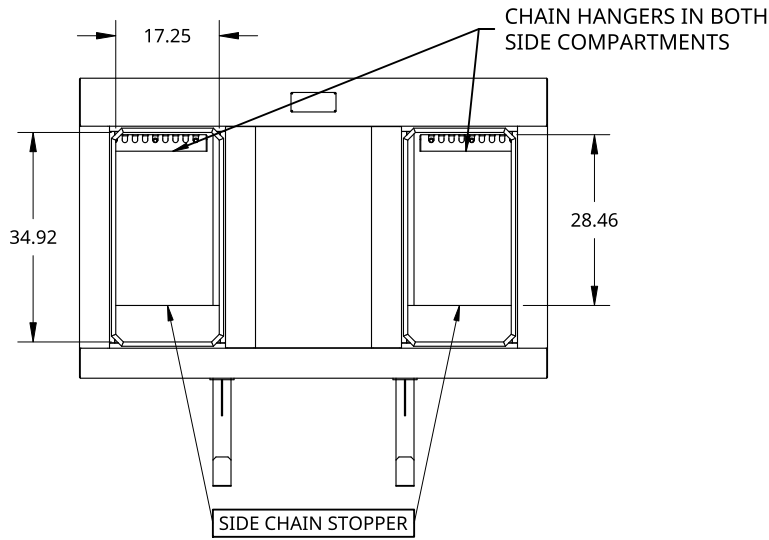


2

1

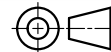


THIS DOCUMENT IS THE PROPERTY OF TREBOR MANUFACTURING. ANY UNAUTHORIZED REPRODUCTION WILL BE PROSECUTED TO THE FULL EXTENT OF THE LAW

UNLESS OTHERWISE SPECIFIED, DIMENSIONS ARE IN INCHES

.XX = ±.1- ANGULAR = ±1°  
 .XXX = ±.015- FRACTIONAL = ±1/8  
 .XXXX = ±.005-

THIRD ANGLE PROJECTION



DRAWN BY	SHAWN CROCKER	08/11/2021
CHANGED BY	SHAWN CROCKER	06/20/2023

MATERIAL  
 1/8 ALU MILL

PART NO. TR2DPL6878P REV. B

STANDARD COMPARTMENT CAB SHIELD - TWO DOORS - COMPRESSION LOCK - 68IN HIGH X 78IN WIDE

SIZE A DWG. NO. D31573 REV. A

SCALE 1:32 WEIGHT 280.38 LB SHEET 1 of 1

2

1

B

B

A

A