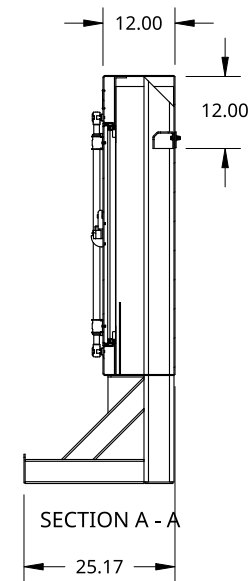
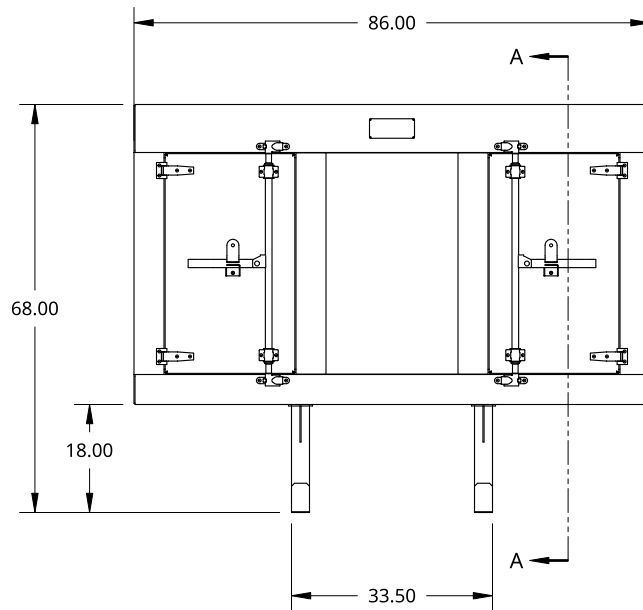
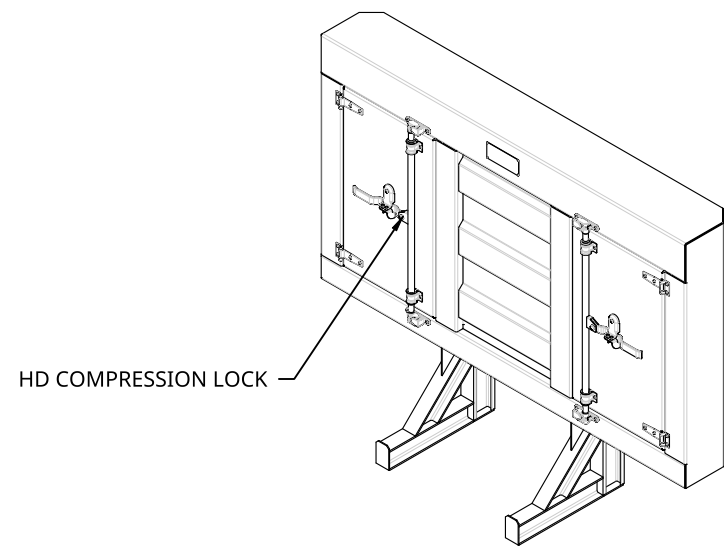
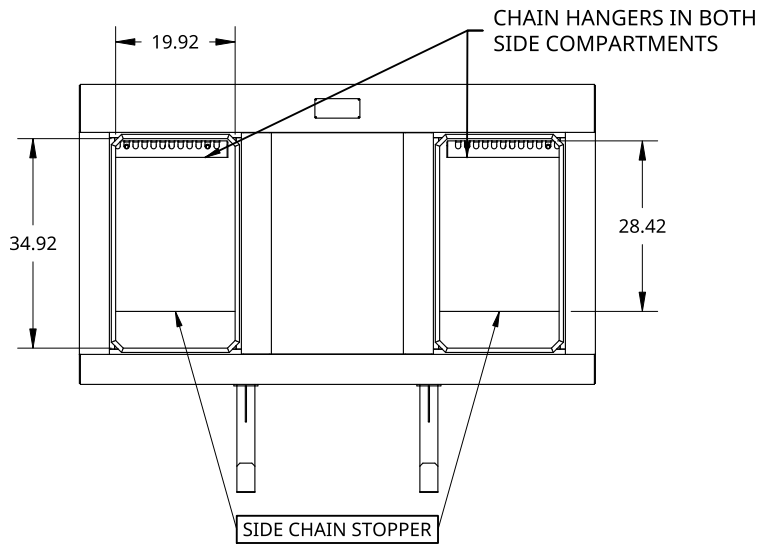


2

1

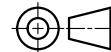


THIS DOCUMENT IS THE PROPERTY OF TREBOR MANUFACTURING. ANY UNAUTHORIZED REPRODUCTION WILL BE PROSECUTED TO THE FULL EXTENT OF THE LAW

UNLESS OTHERWISE SPECIFIED, DIMENSIONS ARE IN INCHES

.XX = ±.1- ANGULAR = ±1°  
 .XXX = ±.015- FRACTIONAL = ±1/8  
 .XXXX = ±.005-

THIRD ANGLE PROJECTION



DRAWN BY	SHAWN CROCKER	08/11/2021
CHANGED BY	SHAWN CROCKER	06/19/2023

MATERIAL  
 1/8 ALU CHECKER

PART NO. TR2D6886P

STANDARD COMPARTMENT CAB SHIELD - TWO DOORS - COMPRESSION LOCK - 68IN HIGH X 86IN WIDE

SIZE A DWG. NO. D31565

SCALE 1:32 WEIGHT 309.67 LB SHEET 1 of 1

2

1

B

B

A

A