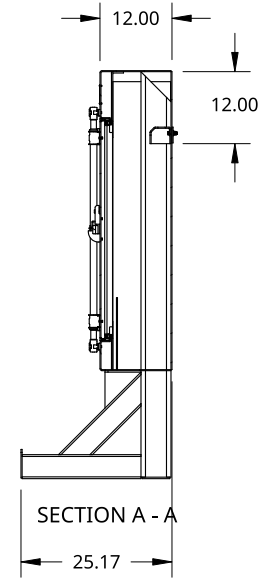
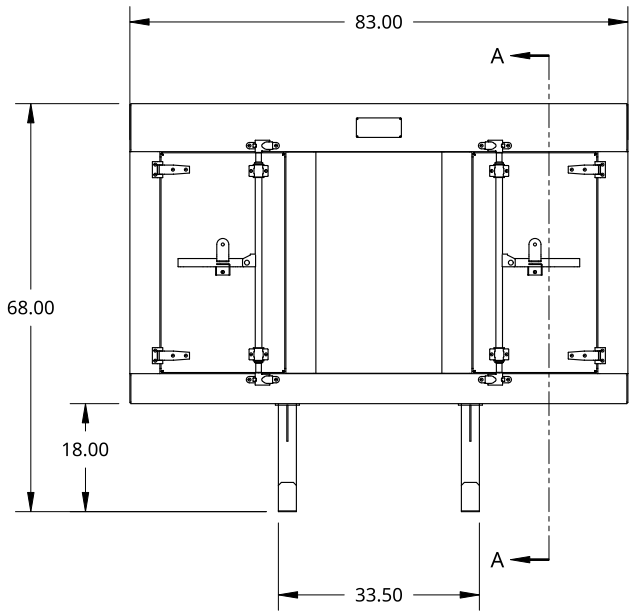
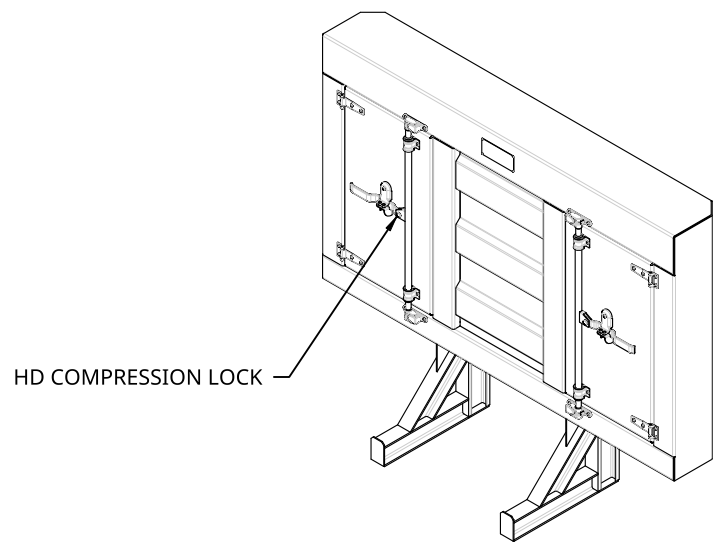
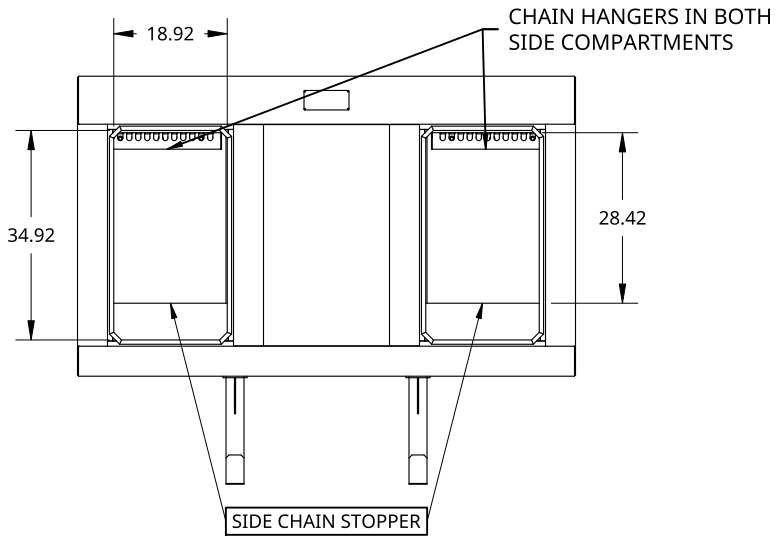


2

1



B

B

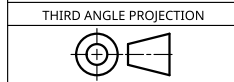
A

A

THIS DOCUMENT IS THE PROPERTY OF TREBOR MANUFACTURING. ANY UNAUTHORIZED REPRODUCTION WILL BE PROSECUTED TO THE FULL EXTENT OF THE LAW



UNLESS OTHERWISE SPECIFIED, DIMENSIONS ARE IN INCHES
 .XX = ±.1-
 .XXX = ±.015-
 .XXXX = ±.005-
 ANGULAR = ±1°
 FRACTIONAL = ±1/8



DRAWN BY SHAWN CROCKER 08/11/2021		
CHANGED BY SHAWN CROCKER 06/19/2023		
MATERIAL		
1/8 ALU CHECKER		

PART NO. TR2D6883P

REV. B

STANDARD COMPARTMENT CAB SHIELD - TWO DOORS - COMPRESSION LOCK - 68IN HIGH X 83IN WIDE

SIZE A DWG. NO. D31564

REV. A

SCALE 1:32 WEIGHT 303.97 LB SHEET 1 of 1

2

1