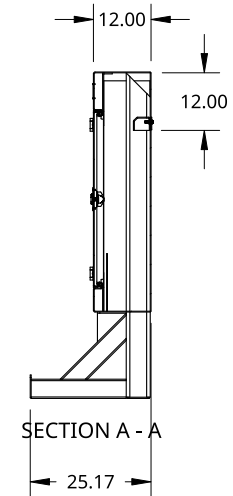
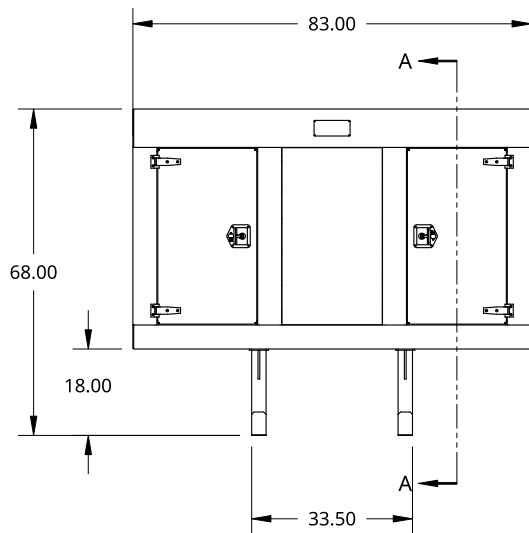
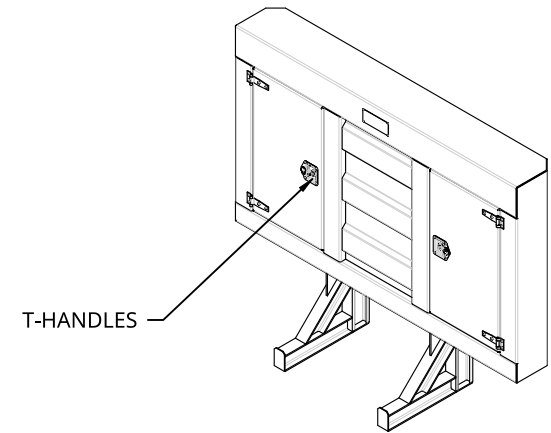
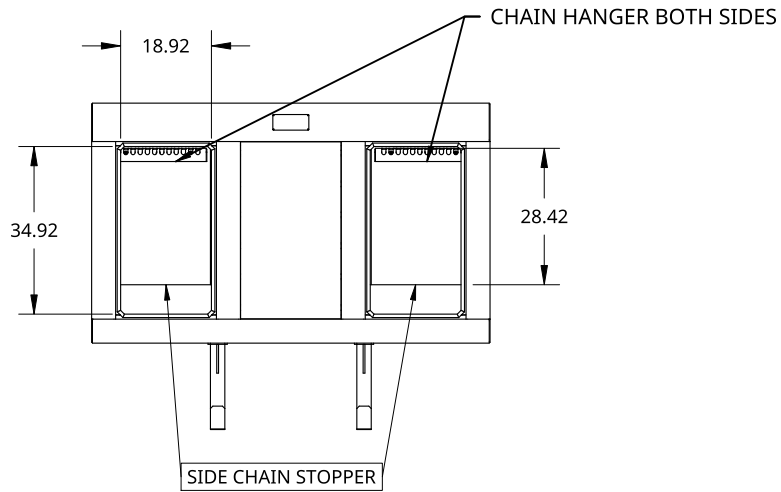


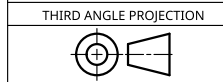
2

1



THIS DOCUMENT IS THE PROPERTY OF TREBOR MANUFACTURING. ANY UNAUTHORIZED REPRODUCTION WILL BE PROSECUTED TO THE FULL EXTENT OF THE LAW

UNLESS OTHERWISE SPECIFIED, DIMENSIONS ARE IN INCHES
 .XX = ±.1-
 .XXX = ±.015-
 .XXXX = ±.005-
 ANGULAR = ±1°
 FRACTIONAL = ±1/8



DRAWN SHAWN CROCKER 08/11/2021

MATERIAL 1/8 ALU CHECKER

PART NO. TR2D6883 REV. A

STANDARD COMPARTMENT CAB SHIELD - TWO DOORS - T-HANDLE - 68IN HIGH X 83IN WIDE

SIZE A DWG NO. D10177 REV. A

SCALE 1:40 WEIGHT 284.15 LB SHEET 1 of 1

2

1

B

B

A

A