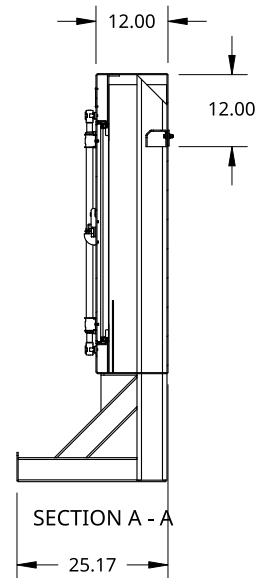
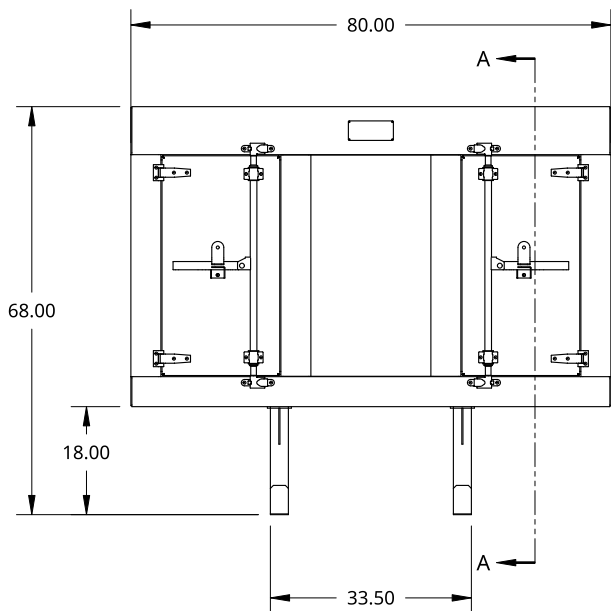
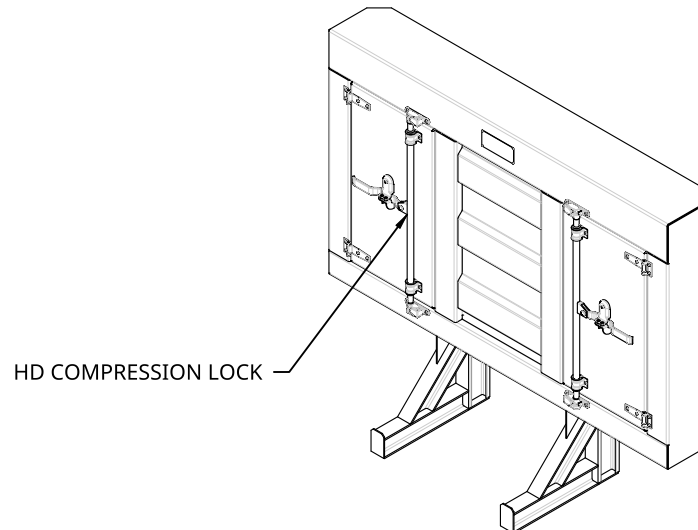
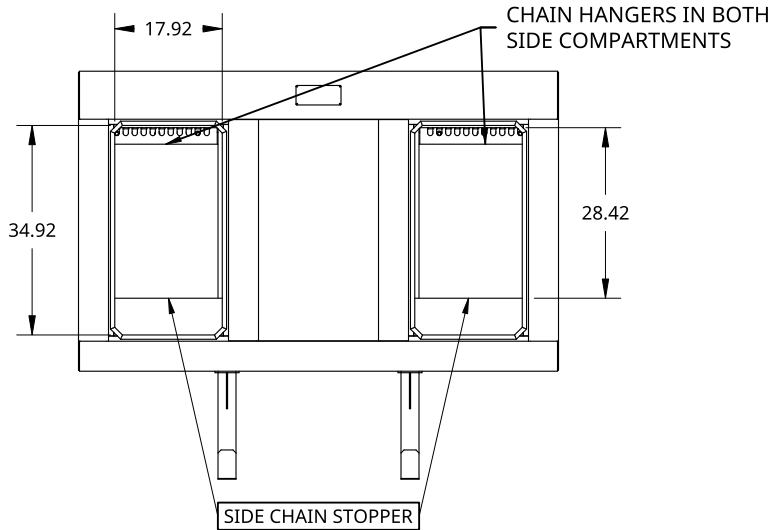


2

1



B

B

A

A

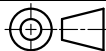
THIS DOCUMENT IS THE PROPERTY OF TREBOR MANUFACTURING. ANY UNAUTHORIZED REPRODUCTION WILL BE PROSECUTED TO THE FULL EXTENT OF THE LAW



UNLESS OTHERWISE SPECIFIED, DIMENSIONS ARE IN INCHES

.XX = ±.1-
.XXX = ±.015- ANGULAR = ±1°
.XXXX = ±.005- FRACTIONAL = ±1/8

THIRD ANGLE PROJECTION



| | | |
|------------|---------------|------------|
| DRAWN BY | SHAWN CROCKER | 06/16/2023 |
| CHANGED BY | SHAWN CROCKER | 06/19/2023 |

MATERIAL

1/8 ALU CHECKER

PART NO. TR2D6880P

REV. A

STANDARD COMPARTMENT CAB SHIELD - TWO DOORS - COMPRESSION LOCK - 68IN HIGH X 80IN WIDE

SIZE A DWG NO. D31563

REV. A

| | | |
|------------|------------------|--------------|
| SCALE 1:32 | WEIGHT 298.26 LB | SHEET 1 of 1 |
|------------|------------------|--------------|

2

1