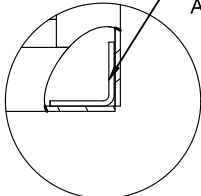


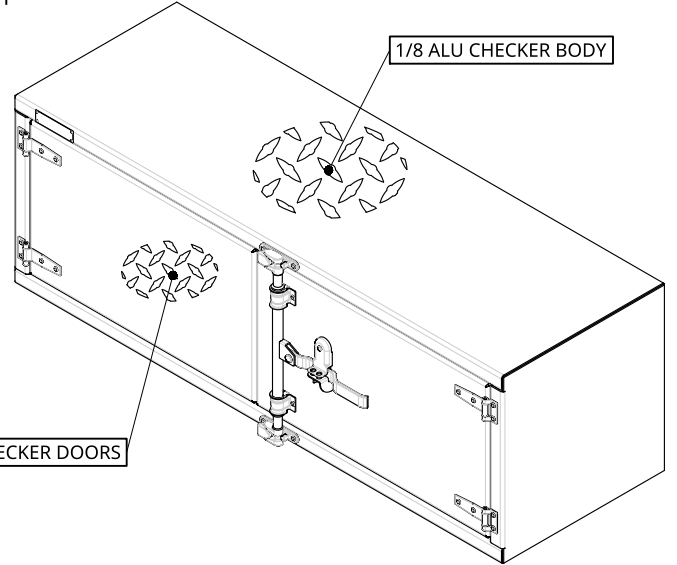
2

1

INNER REINFORCEMENT
ANGLE BOTH SIDES



DETAIL B
SCALE 1:6

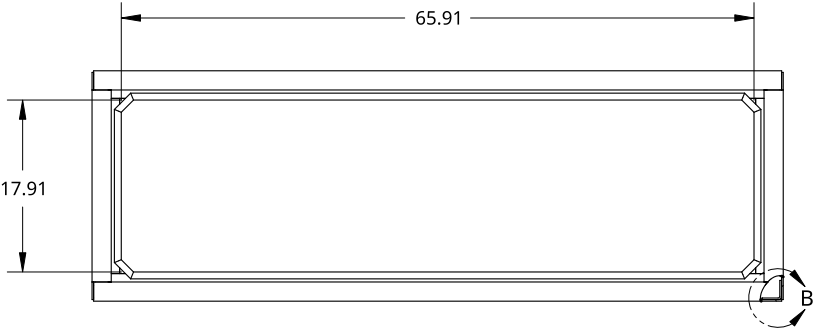


1/8 ALU CHECKER BODY

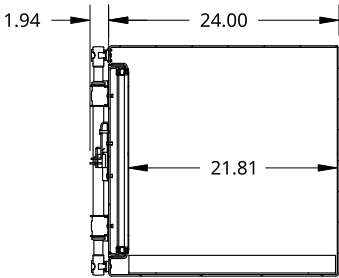
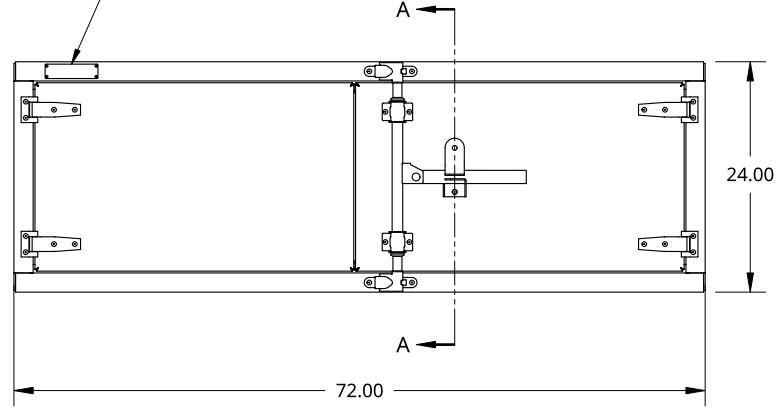
1/8 ALU CHECKER DOORS

B

B



SMALL SIZE TREBOR NAME PLATE



SECTION A - A

A

A

THIS DOCUMENT IS THE PROPERTY OF TREBOR MANUFACTURING. ANY UNAUTHORIZED REPRODUCTION WILL BE PROSECUTED TO THE FULL EXTENT OF THE LAW



PART NO. TR2472P REV. C

UNLESS OTHERWISE SPECIFIED, DIMENSIONS ARE IN INCHES
.XX = ±.1-
.XXX = ±.015- ANGULAR = ±1°
.XXXX = ±.005- FRACTIONAL = ±1/8

DRAWN BY SHAWN CROCKER 09/29/2021
CHANGED BY TOMMY HOULE 10/16/2024

TWO DOOR RECESSED DOOR TOOL BOX - 24 X 24 X 72 - COMPRESSION LOCK - OPEN RIGHT

THIRD ANGLE PROJECTION

MATERIAL

SIZE A DWG NO. D5504 REV. C2



1/8 ALU CHECKER

SCALE 1:20 WEIGHT 132.81 LB SHEET 1 of 1

2

1