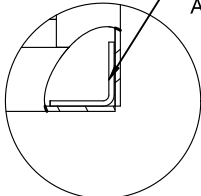


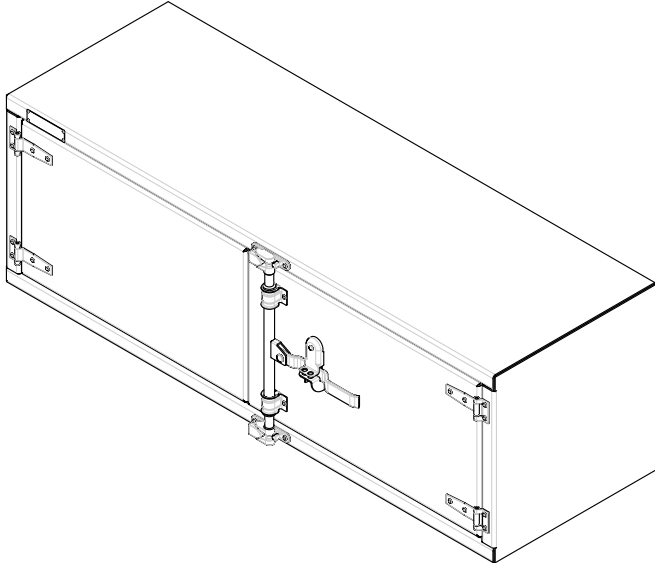
2

1

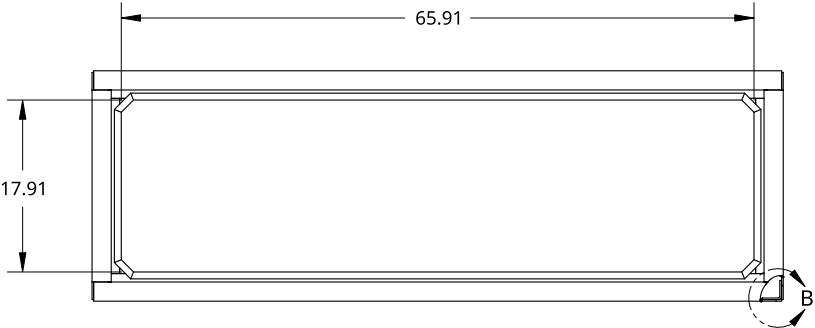
INNER REINFORCMENT
ANGLE BOTH SIDES



DETAIL B
SCALE 1:6

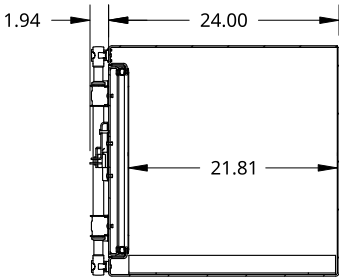
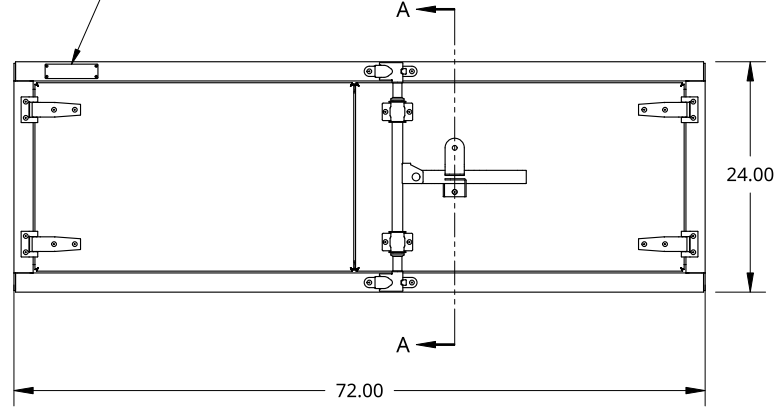


B



B

SMALL SIZE TREBOR NAME PLATE



SECTION A - A

A

A

THIS DOCUMENT IS THE PROPERTY OF TREBOR
MANUFACTURING. ANY UNAUTHORIZED REPRODUCTION
WILL BE PROSECUTED TO THE FULL EXTENT OF THE LAW



PART NO. **TR2472P** REV. **C**

UNLESS OTHERWISE SPECIFIED,
DIMENSIONS ARE IN INCHES
.XX = ±.1-
.XXX = ±.015- ANGULAR = ±1°
.XXXX = ±.005- FRACTIONAL = ±1/8

DRAWN BY SHAWN CROCKER 09/29/2021
CHANGED BY RAUL MANRIQUE 08/02/2022

TWO DOOR RECESSED DOOR TOOL BOX - 24 X 24 X 72 - COMPRESSION
LOCK - OPEN RIGHT

THIRD ANGLE PROJECTION

MATERIAL

SIZE **A** DWG. NO. **D5504** REV. **C**



1/8 ALU CHECKER

SCALE **1:20** WEIGHT **132.81 LB** SHEET **1 of 1**

2

1