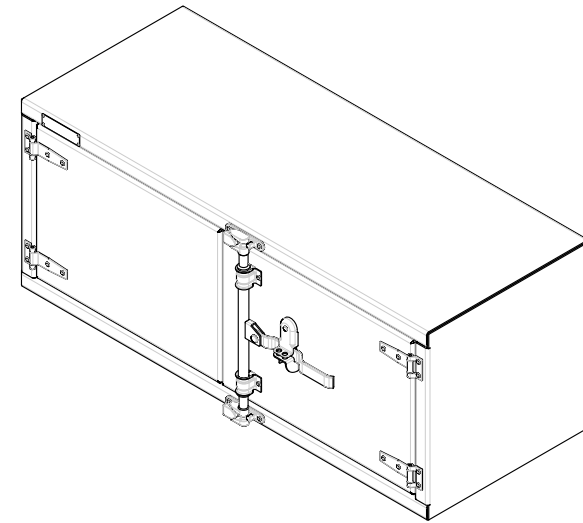
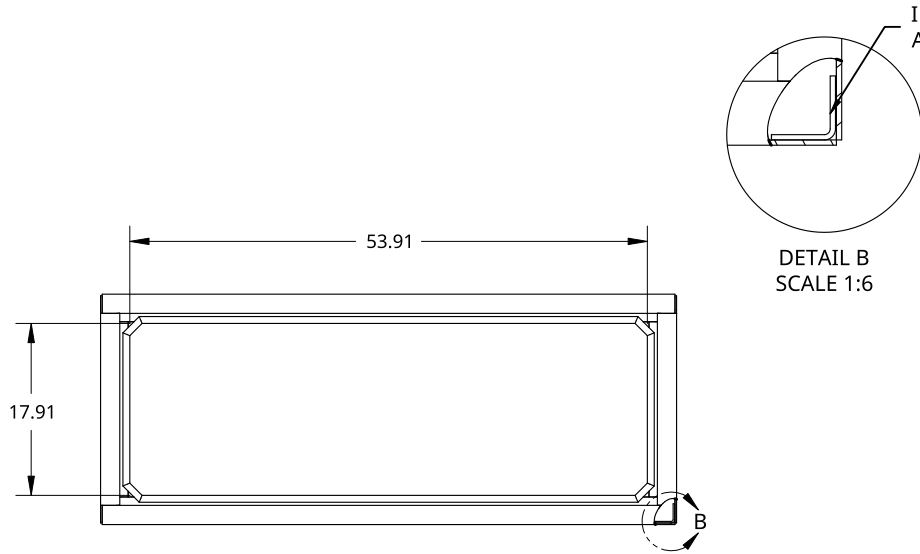


2

1

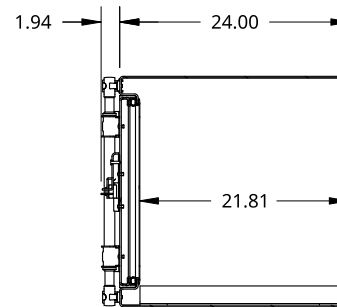
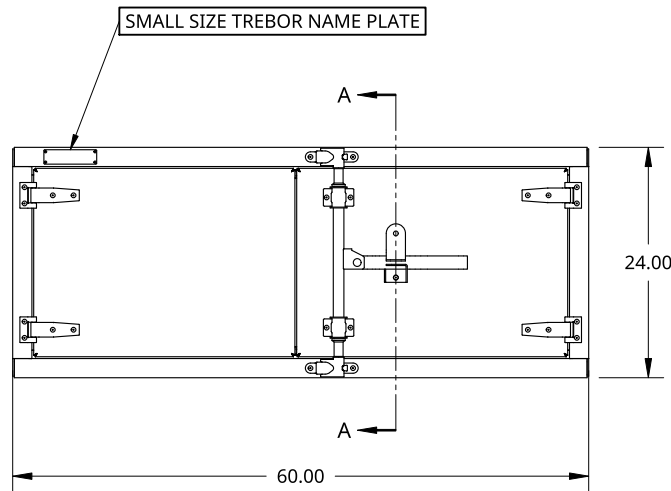
B

B



A

A



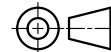
SECTION A - A

THIS DOCUMENT IS THE PROPERTY OF TREBOR  
MANUFACTURING. ANY UNAUTHORIZED REPRODUCTION  
WILL BE PROSECUTED TO THE FULL EXTENT OF THE LAW

UNLESS OTHERWISE SPECIFIED,  
DIMENSIONS ARE IN INCHES

.XX = ±.1-  
.XXX = ±.015- ANGULAR = ±1°  
.XXXX = ±.005- FRACTIONAL = ±1/8

THIRD ANGLE PROJECTION



DRAWN BY	SHAWN CROCKER	09/29/2021
CHANGED BY	RAUL MANRIQUE	08/02/2022

MATERIAL  
1/8 ALU CHECKER

PART NO.	TR2460P	REV.	B
----------	---------	------	---

TWO DOOR RECESSED DOOR TOOL BOX - 24 X 24 X 60 - COMPRESSION  
LOCK - OPEN RIGHT

SIZE	A	DWG NO.	D11987	REV.	B
------	---	---------	--------	------	---

SCALE	1:20	WEIGHT	117.12 LB	SHEET	1 of 1
-------	------	--------	-----------	-------	--------

2

1