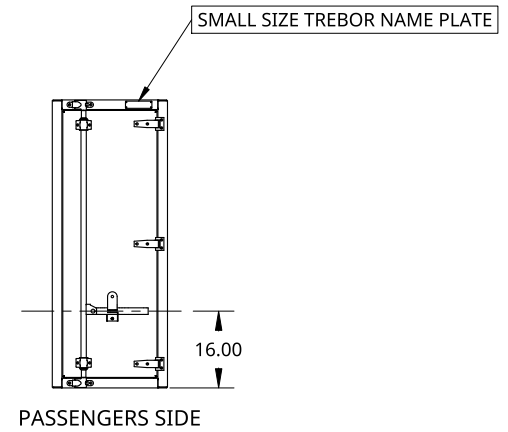
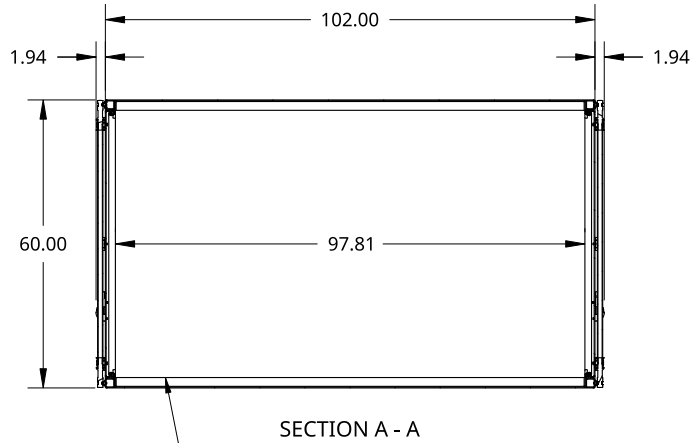
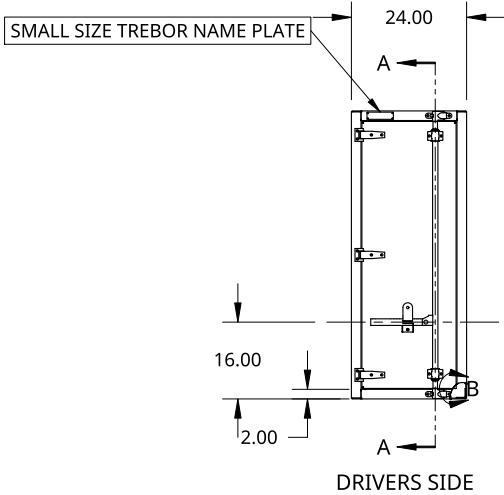
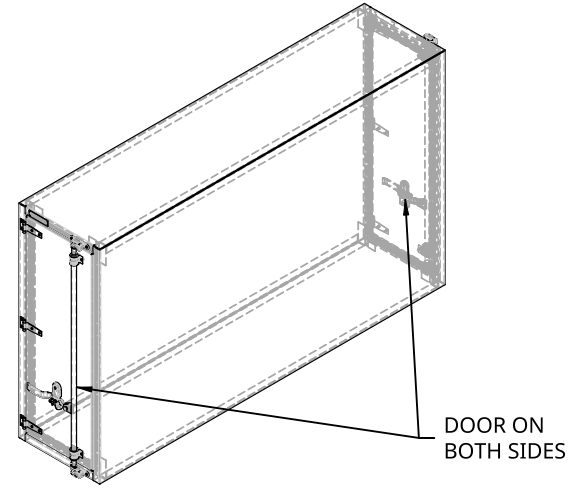


2

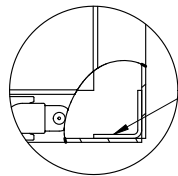
1

B

B



FULL WIDTH CORNER ANGLE
ALL INNER CORNERS



DETAIL B
SCALE 1:8

A

A

<small>THIS DOCUMENT IS THE PROPERTY OF TREBOR MANUFACTURING. ANY UNAUTHORIZED REPRODUCTION WILL BE PROSECUTED TO THE FULL EXTENT OF THE LAW</small>				PART NO. TR2460102PP	REV. A1
<small>UNLESS OTHERWISE SPECIFIED, DIMENSIONS ARE IN INCHES .XX = ±.1- .XXX = ±.015- .XXXX = ±.005-</small>		<small>ANGULAR = ±1° FRACTIONAL = ±1/8</small>		STRAIGHT CROSS FRAME TOOL BOX - 24 X 60 X 102 - COMPRESSION CAM LOCK	
DRAWN SHAWN CROCKER	08/21/2021	SIZE A	DWG NO. D10289	REV. A	
THIRD ANGLE PROJECTION 		MATERIAL 1/8 ALU CHECKER		SCALE 1:40	WEIGHT 336.79 LB
				SHEET 1 of 1	

2

1