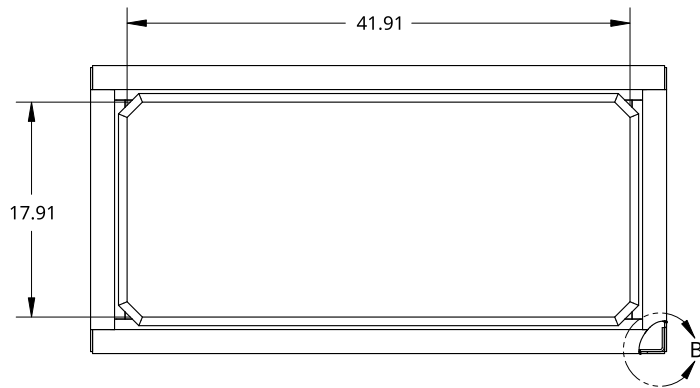
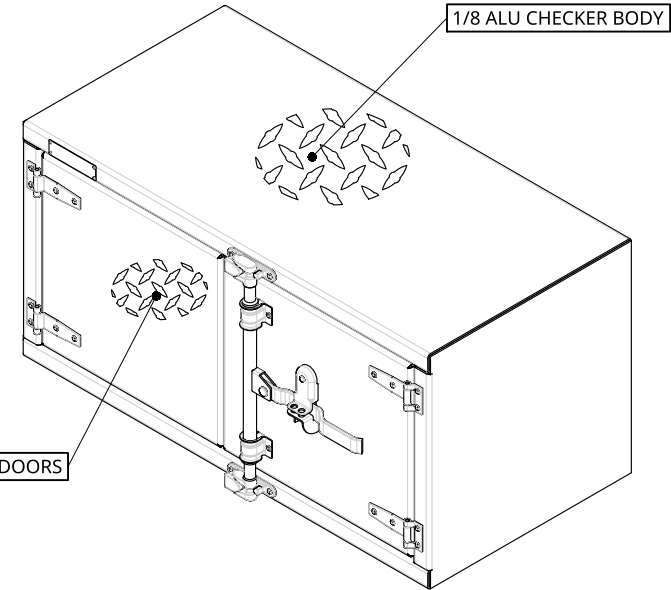


2

1

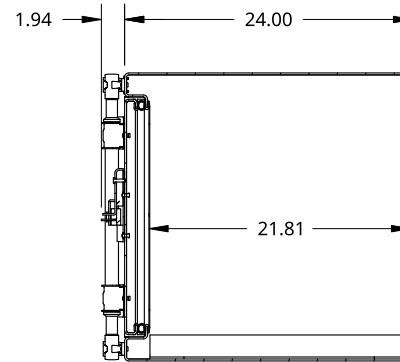
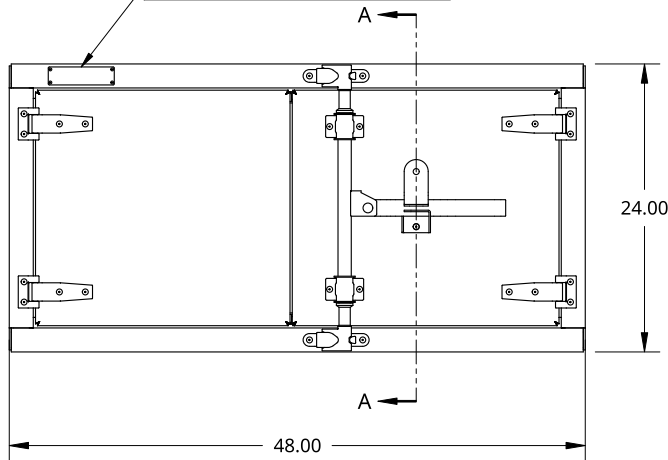


INNER REINFORCEMENT
ANGLE BOTH SIDES





B

SMALL SIZE TREBOR NAME PLATE



SECTION A - A

A

THIS DOCUMENT IS THE PROPERTY OF TREBOR MANUFACTURING. ANY UNAUTHORIZED REPRODUCTION WILL BE PROSECUTED TO THE FULL EXTENT OF THE LAW				PART NO. TR2448P		REV. C
UNLESS OTHERWISE SPECIFIED, DIMENSIONS ARE IN INCHES .XX = ±.1- .XXX = ±.015- .XXXX = ±.005-				DRAWN BY SHAWN CROCKER 09/29/2021 CHANGED BY TOMMY HOULE 10/16/2024		TWO DOOR RECESSED DOOR TOOL BOX - 24 X 24 X 48 - COMPRESSION LOCK - OPEN RIGHT
THIRD ANGLE PROJECTION		MATERIAL 1/8 ALU CHECKER		SIZE A	DWG NO. D5458	REV. D2
		SCALE 1:16	WEIGHT 100.39 LB	SHEET 1 of 1		

2

1