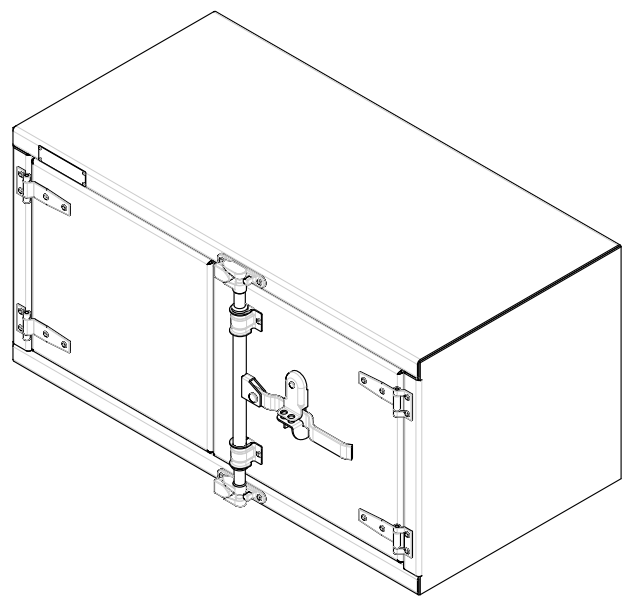
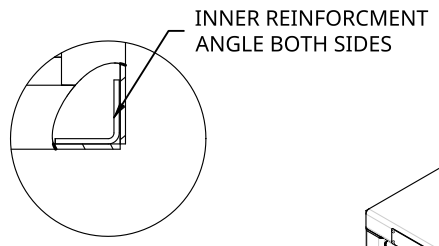
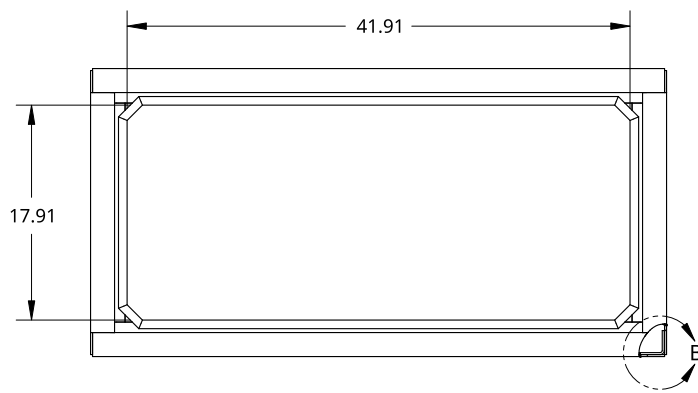


2

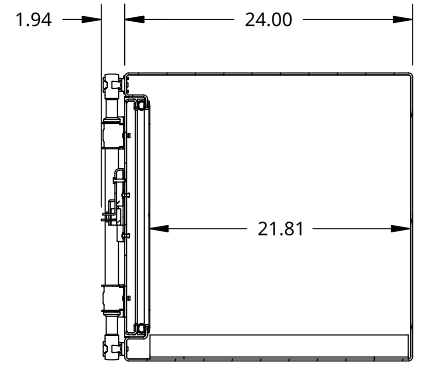
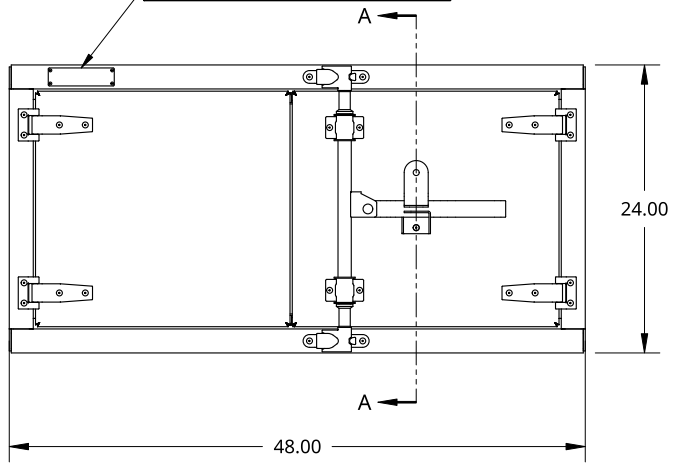
1

B



B

SMALL SIZE TREBOR NAME PLATE



SECTION A - A

A

A

THIS DOCUMENT IS THE PROPERTY OF TREBOR MANUFACTURING. ANY UNAUTHORIZED REPRODUCTION WILL BE PROSECUTED TO THE FULL EXTENT OF THE LAW



PART NO. **TR2448P** REV. **C**

UNLESS OTHERWISE SPECIFIED, DIMENSIONS ARE IN INCHES
 .XX = ±.1-
 .XXX = ±.015- ANGULAR = ±1°
 .XXXX = ±.005- FRACTIONAL = ±1/8

DRAWN BY SHAWN CROCKER 09/29/2021
 CHANGED BY RAUL MANRIQUE 08/02/2022

TWO DOOR RECESSED DOOR TOOL BOX - 24 X 24 X 48 - COMPRESSION LOCK - OPEN RIGHT

THIRD ANGLE PROJECTION

MATERIAL

SIZE **A** DWG. NO. **D5458** REV. **C**



1/8 ALU CHECKER

SCALE 1:16 WEIGHT 100.39 LB SHEET 1 of 1

2

1