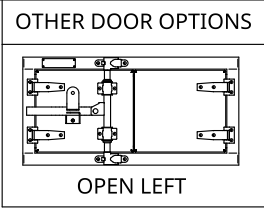
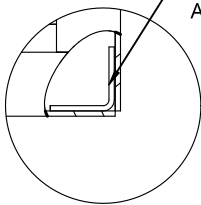


2

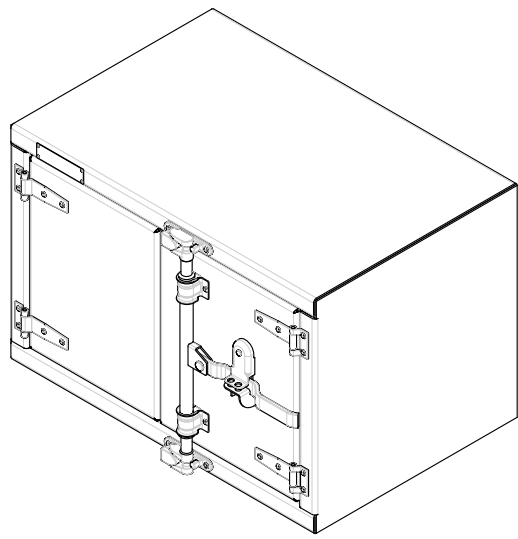
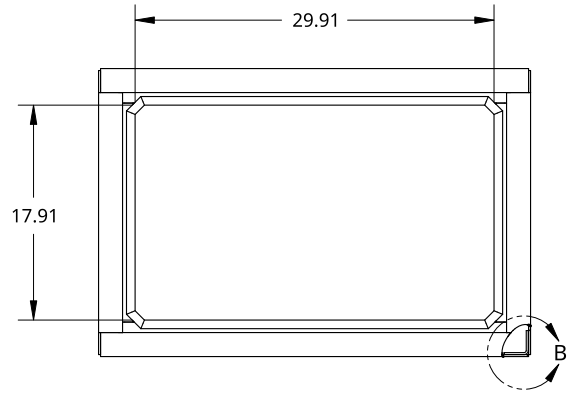
1



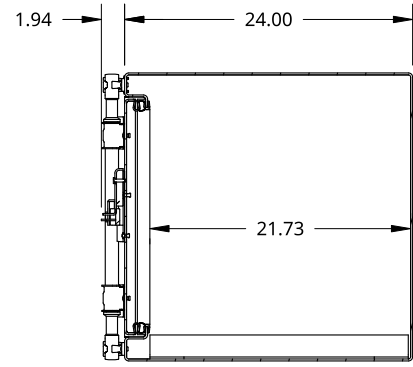
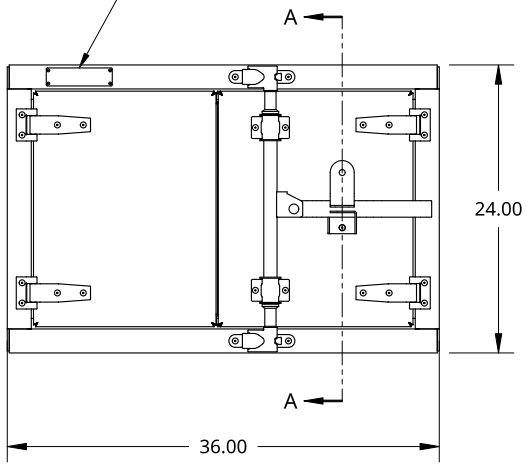
INNER REINFORCEMENT
ANGLE BOTH SIDES



DETAIL B
SCALE 1:6



SMALL SIZE TREBOR NAME PLATE



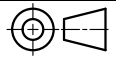
SECTION A - A

THIS DOCUMENT IS THE PROPERTY OF TREBOR MANUFACTURING. ANY UNAUTHORIZED REPRODUCTION WILL BE PROSECUTED TO THE FULL EXTENT OF THE LAW

UNLESS OTHERWISE SPECIFIED, DIMENSIONS ARE IN INCHES

.XX = ±.1- ANGULAR = ±1°
.XXX = ±.015- FRACTIONAL = ±1/8
.XXXX = ±.005-

THIRD ANGLE PROJECTION



DRAWN SHAWN CROCKER 09/29/2021

MATERIAL
1/8 ALU CHECKER

PART NO. **TR2436P** REV. **A1**

TWO DOOR RECESSED DOOR TOOL BOX - 24 X 24 X 36 - COMPRESSION LOCK - OPEN RIGHT

SIZE **A** DWG NO. **D11986** REV. **A**

SCALE **1:16** WEIGHT **83.65 LB** SHEET **1 of 1**

2

1

B

B

A

A