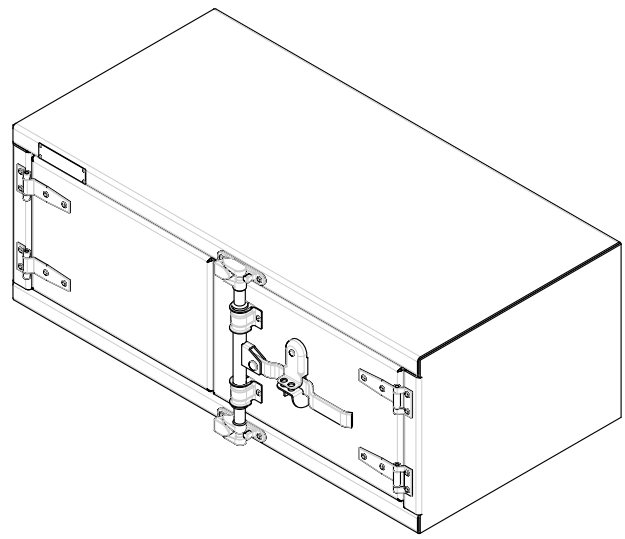
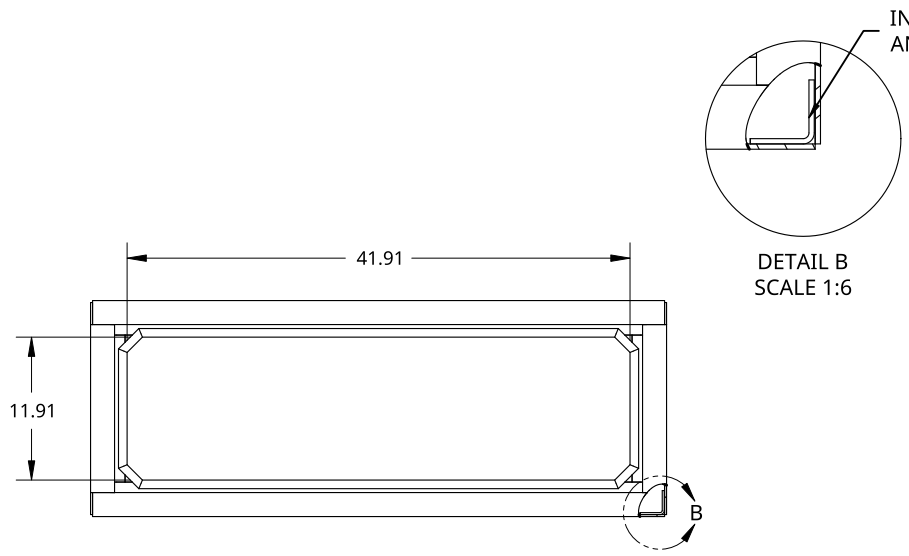


2

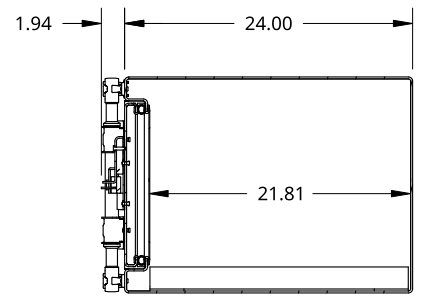
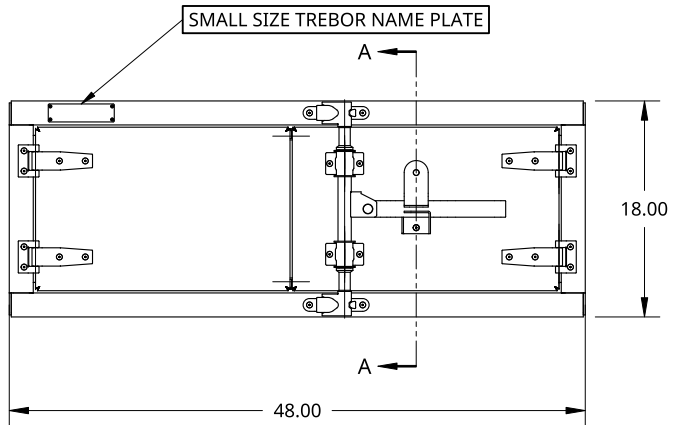
1

B



B

A



SECTION A - A

A

2

1

<small>THIS DOCUMENT IS THE PROPERTY OF TREBOR MANUFACTURING. ANY UNAUTHORIZED REPRODUCTION WILL BE PROSECUTED TO THE FULL EXTENT OF THE LAW</small>				PART NO. TR1848P		REV. B
<small>UNLESS OTHERWISE SPECIFIED, DIMENSIONS ARE IN INCHES .XX = ±.1- .XXX = ±.015- .XXXX = ±.005-</small>		<small>ANGULAR = ±1° FRACTIONAL = ±1/8</small>		DRAWN BY SHAWN CROCKER 09/29/2021 CHANGED BY RAUL MANRIQUE 08/02/2022		TWO DOOR RECESSED DOOR TOOL BOX - 24 X 18 X 48 - COMPRESSION LOCK - OPEN RIGHT
THIRD ANGLE PROJECTION 		MATERIAL 1/8 ALU CHECKER		SIZE A DWG. NO. D11985		REV. B
				SCALE 1:16	WEIGHT 83.24 LB	SHEET 1 of 1

A