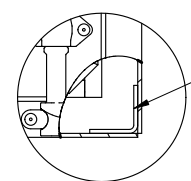
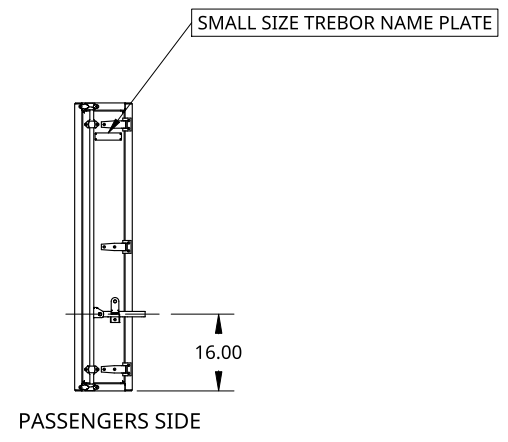
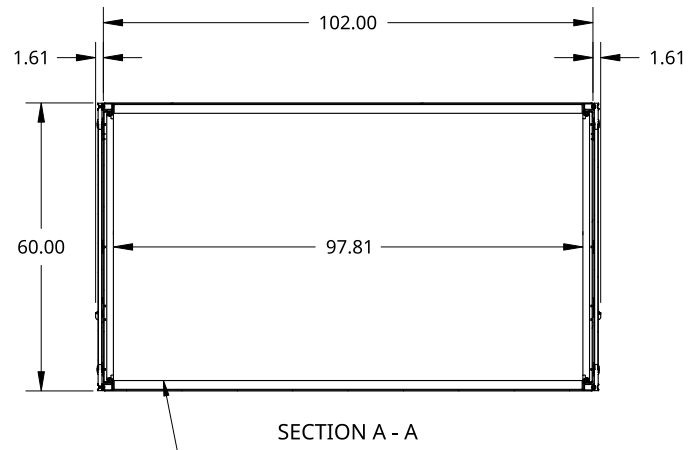
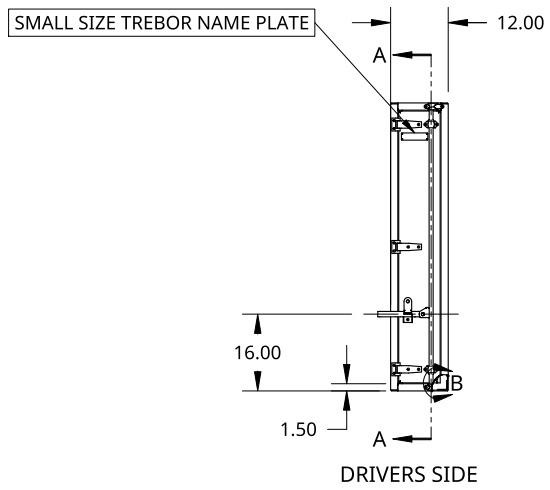
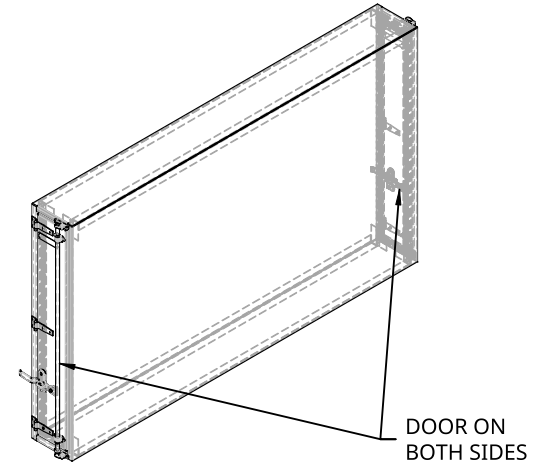


2

1



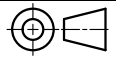
DETAIL B
SCALE 1:8

FULL WIDTH CORNER ANGLE
ALL INNER CORNERS

THIS DOCUMENT IS THE PROPERTY OF TREBOR MANUFACTURING. ANY UNAUTHORIZED REPRODUCTION WILL BE PROSECUTED TO THE FULL EXTENT OF THE LAW

UNLESS OTHERWISE SPECIFIED, DIMENSIONS ARE IN INCHES
.XX = ±.1-
.XXX = ±.015- ANGULAR = ±1°
.XXXX = ±.005- FRACTIONAL = ±1/8

THIRD ANGLE PROJECTION



DRAWN SHAWN CROCKER 08/21/2021

MATERIAL
1/8 ALU CHECKER

PART NO. TR1260102PP REV. A

STRAIGHT CROSS FRAME TOOL BOX - 12 X 60 X 102 - COMPRESSION CAM LOCK

SIZE A DWG NO. D10286 REV. A

SCALE 1:40 WEIGHT 267.86 LB SHEET 1 of 1

2

1

B

B

A

A