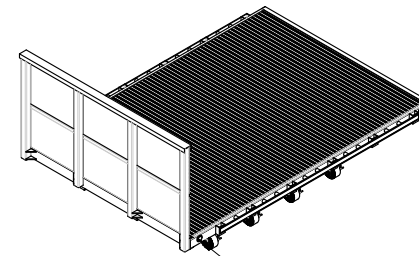
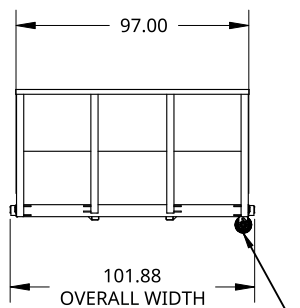


SPECIFICATIONS	
OVERALL LENGTH	144.00 IN
OVERALL WIDTH	101.88 IN
HEADBOARD HEIGHT	48.00 IN
MAIN SILL TYPE	3 X 3 X 0.25 ALUM. TUBE
MAIN SILL SPREAD	34.00 IN
DRIVERS SIDE WINCHES WITH 3IN STRAPS 5400LB WLL.	X4
2IN LED CLEARANCE LIGHTS IN FOUR CORNERS	

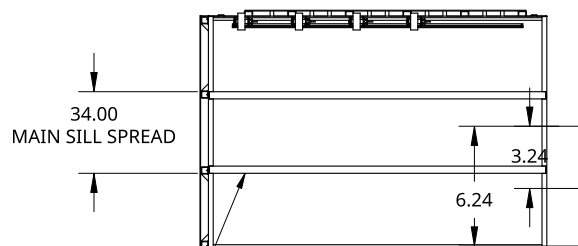
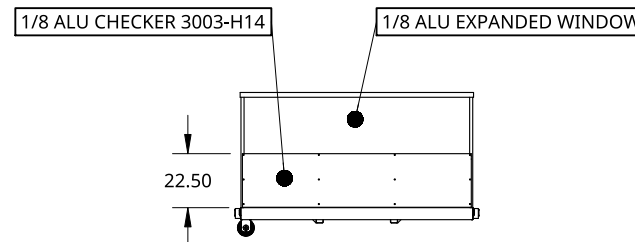
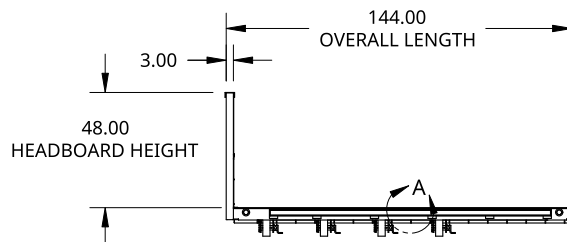


2IN CIRCULAR LIGHT - AMBER LENSE AND LIGHT - UNSEALED 2-WIRE PLUG

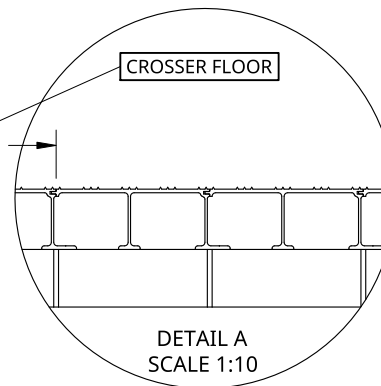
2IN CIRCULAR LIGHT - RED LENSE AND LIGHT - UNSEALED 2-WIRE PLUG



X4 WINCHES AND STRAPS ON DRIVERS SIDE



TUBE - RECT. - RC 3 X 3 X 0.25



DETAIL A SCALE 1:10

REVISIONS			
REVISION	REVISION DESCRIPTION	DATE APPROVED	APPROVER
A	RELEASED TO MFG	06/08/2022	SHAWN CROCKER

THIS DOCUMENT IS THE PROPERTY OF TREBOR MANUFACTURING. ANY UNAUTHORIZED REPRODUCTION WILL BE PROSECUTED TO THE FULL EXTENT OF THE LAW

UNLESS OTHERWISE SPECIFIED, DIMENSIONS ARE IN INCHES

.XX = ±.1- ANGULAR = ±1°
 .XXX = ±.015- FRACTIONAL = ±1/8
 .XXXX = ±.005-

THIRD ANGLE PROJECTION



DRAWN SHAWN CROCKER 06/07/2022

MATERIAL

ALUMINUM

PART NO. PFLD12 REV. A

CROSSER FLOOR FLAT DECK - 144IN LONG OVERALL X 101.88IN WIDE WITH POCKETS - X4 WINCHES AND STRAPS ON DRIVERS SIDE

SIZE A DWG NO. D19154 REV. A

SCALE 1:80 WEIGHT 859.56 LB SHEET 1 of 2

BASIC BODY CONSTRUCTION

CHANNEL-S 5 X 2 X 0.289 - CROSSER FLOOR END BEAM 96.63L - ALU MILL 6061-T6

CROSSER FLOOR - ALU MILL 6061-T6

CHANNEL - STRUC. 4 X 2 X 0.19 - ALU MILL 6061-T6

SIDE RAIL POCKET - ALU. 6061-T6

TUBE - RECT. - RC 3 X 3 X 0.25 - ALU MILL 6061-T6

SIDE POCKET RUB RAIL - ALU MILL 6061-T6

FLAT STOCK 24H X 94W - 1/8 ALU EXPANDED

TUBE - RECT. - RC 3 X 3 X 0.25 - ALU MILL 6061-T6

LOWER PANEL W/OFFSET BEND - 22.5 HIGH X 95.37 WIDE - 1/8 ALU CHECKER 3003-H14

THIS DOCUMENT IS THE PROPERTY OF TREBOR MANUFACTURING. ANY UNAUTHORIZED REPRODUCTION WILL BE PROSECUTED TO THE FULL EXTENT OF THE LAW

UNLESS OTHERWISE SPECIFIED, DIMENSIONS ARE IN INCHES

.XX = ±.1-
.XXX = ±.015- ANGULAR = ±1°
.XXXX = ±.005- FRACTIONAL = ±1/8



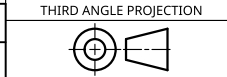
PART NO. PFLD12 REV. A

CROSSER FLOOR FLAT DECK - 144IN LONG OVERALL X 101.88IN WIDE WITH POCKETS - X4 WINCHES AND STRAPS ON DRIVERS SIDE

DRAWN SHAWN CROCKER 06/07/2022

SIZE A DWG. NO. D19154 REV. A

REVISIONS
SEE SHEET 1



MATERIAL ALUMINUM

SCALE 1:40 WEIGHT 859.56 LB SHEET 2 of 2