

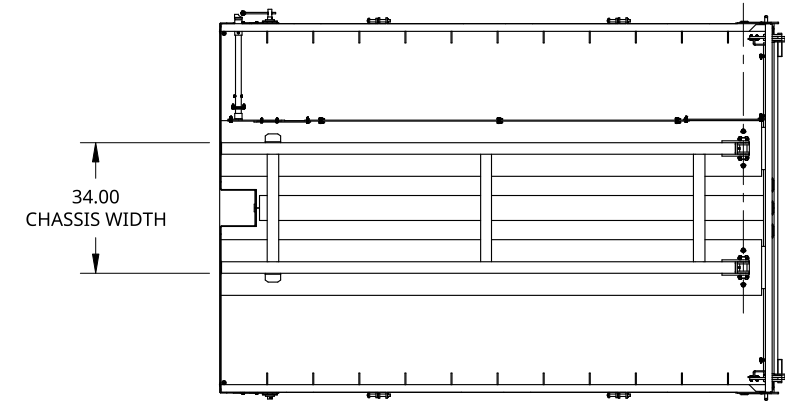
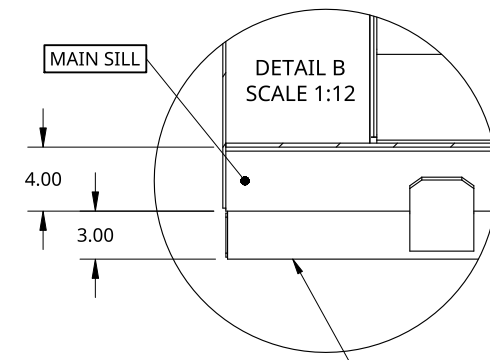
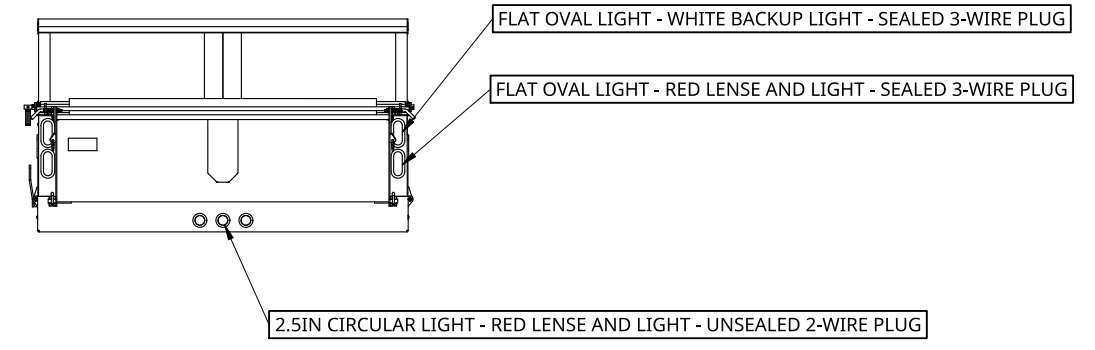
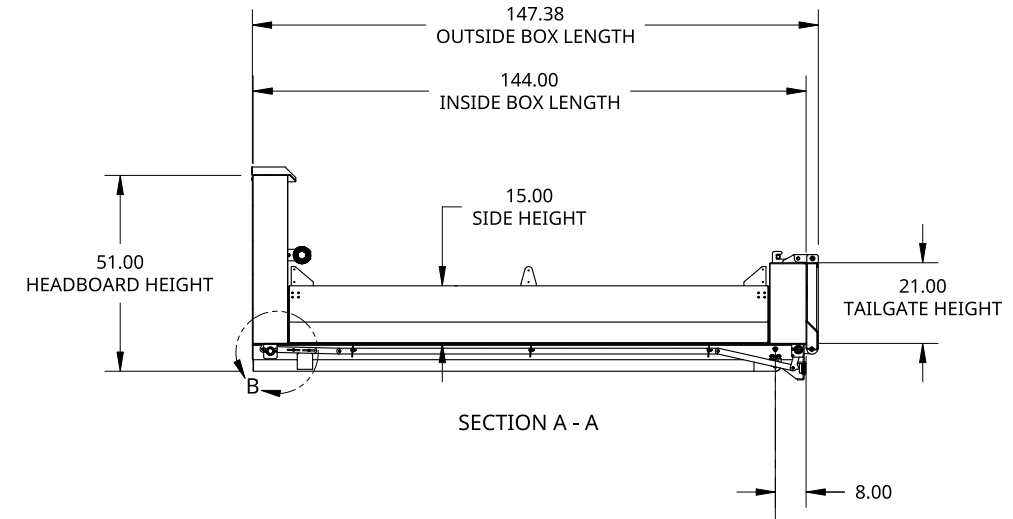
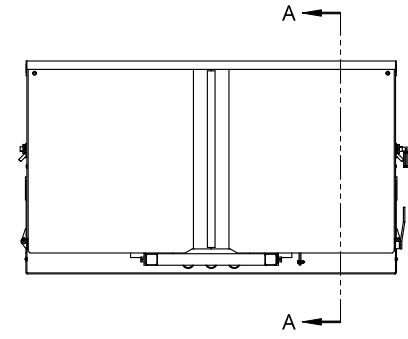
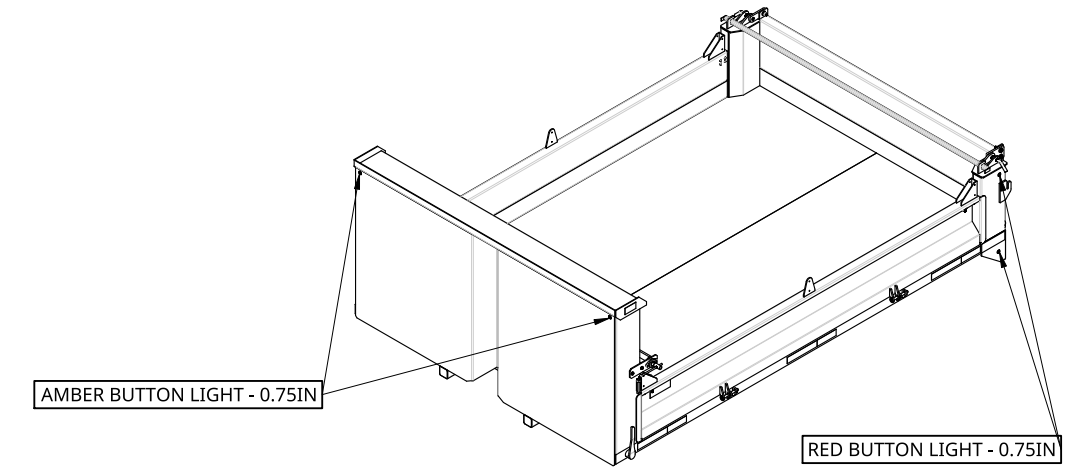
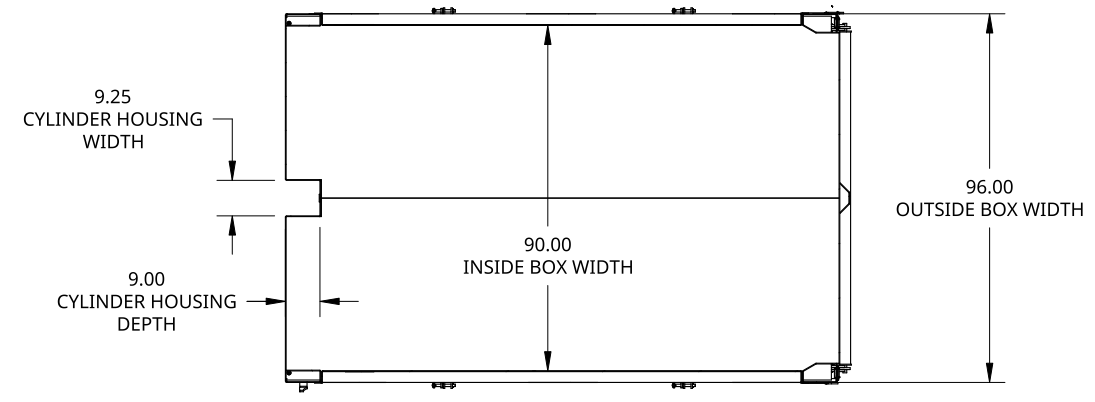
4

3

2

1

KEY FEATURES		
DIMENSIONS (IN)		
INSIDE BOX LENGTH	144	
OUTSIDE BOX LENGTH	147.38	
INSIDE BOX WIDTH	90	
OUTSIDE BOX WIDTH	96	
CHASSIS WIDTH	34	
HEADBOARD HEIGHT	51	
SIDES HEIGHT	15	
TAILGATE HEIGHT	21	
CYLINDER HOUSING DEPTH	9	
CYLINDER HOUSING WIDTH	9.25	
FEATURES		
DROP DOWN SIDE PANELS WITH TOOL-LESS REMOVABLE FEATURE		
BI-FOLDING TAILGATE WITH HAND OPERATED DUMP RELEASE LATCH AT FRONT OF BODY		
GREASABLE BODY TILT HINGE		
FULLY ADJUSTABLE TAILGATE DUMPING RELEASE LATCH		
HAND CRANK TARP ROLLER WITH MESH TARP		
FULLY WIRED CLEARANCE LIGHTS ONLY		



STEEL HOT ROLLED 44W TUBE - RECT. - RC 3 X 3 X 0.19 SUB FRAME SIDE TUBE

RELEASED

THIS DOCUMENT IS THE PROPERTY OF TREBOR MANUFACTURING. ANY UNAUTHORIZED REPRODUCTION WILL BE PROSECUTED TO THE FULL EXTENT OF THE LAW.		TREBOR Manufacturing		PART NO.	PFDUMP12	REV.	A1
UNLESS OTHERWISE SPECIFIED, DIMENSIONS ARE IN INCHES .XX = ±.1- .XXX = ±.015- .XXXX = ±.005-		ANGULAR = ±1° FRACTIONAL = ±1/8		STANDARD DUMP BODY - 144IN LONG X 96IN WIDE - 51IN HIGH HEADBOARD - 15IN HIGH FOLD DOWN SIDE PANELS - 21IN HIGH BI-FOLDING TAILGATE			
THIRD ANGLE PROJECTION		MATERIAL		SCALE	WEIGHT	SHEET	
		ALUMINUM 5052-H32		B	D18723	A	
				1:50	1235.34 LB	1 of 1	

4

3

2

1

D

D

C

C

B

B

A

A