

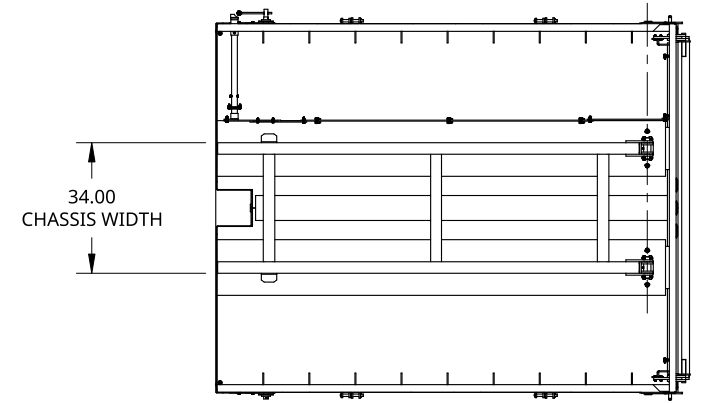
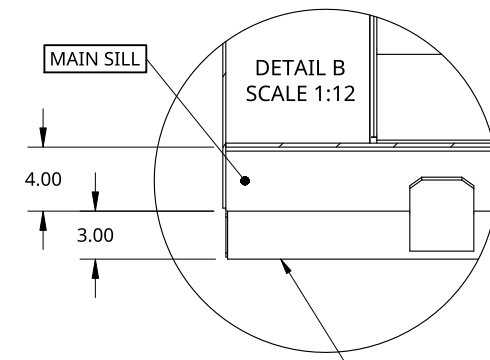
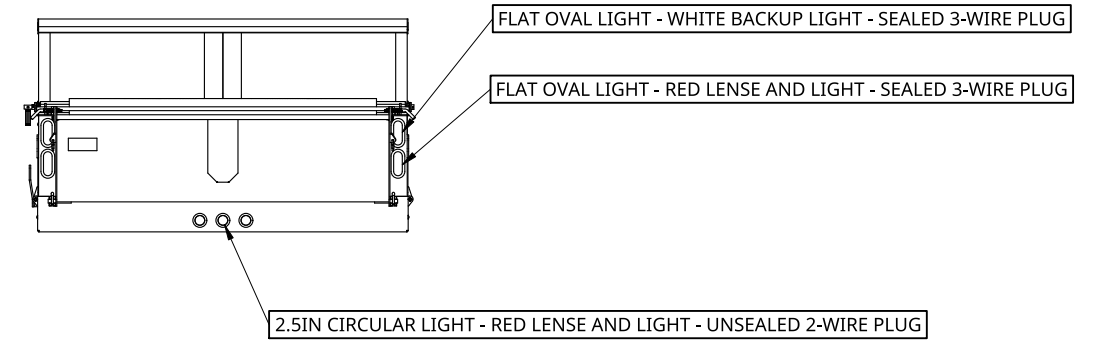
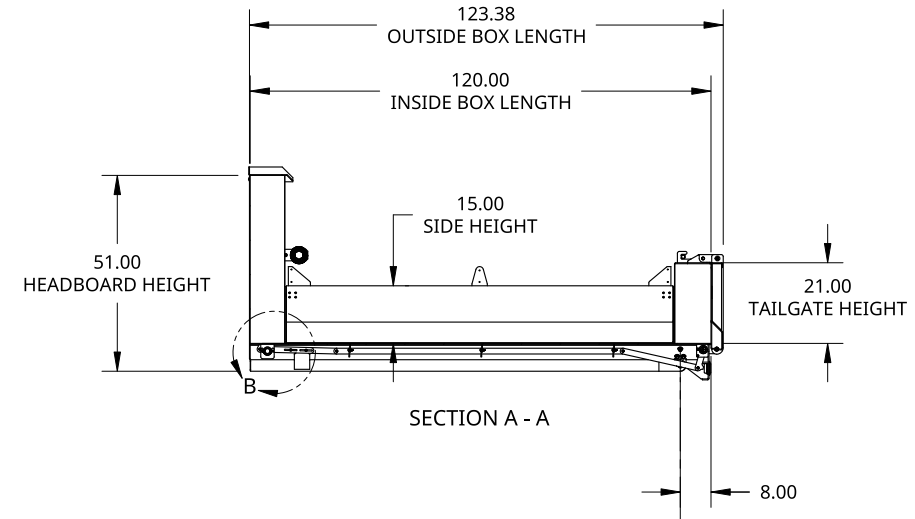
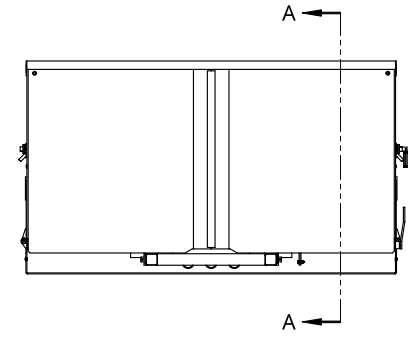
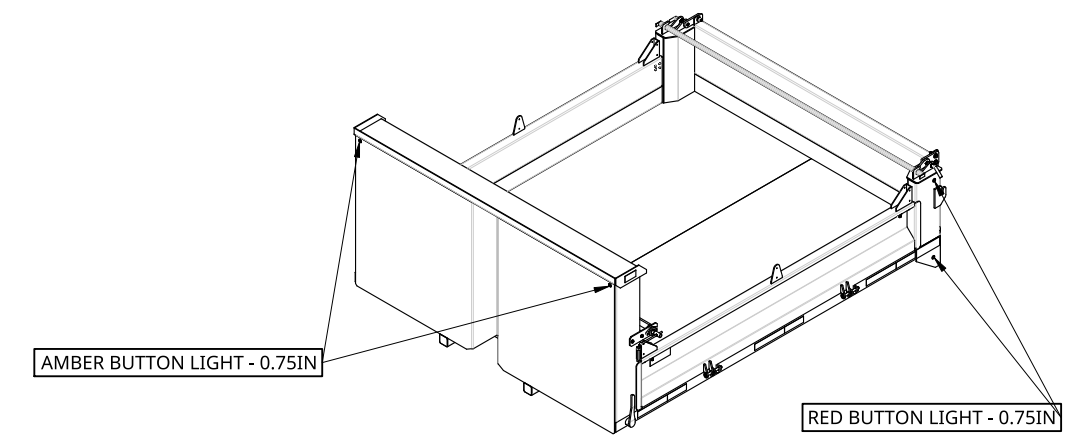
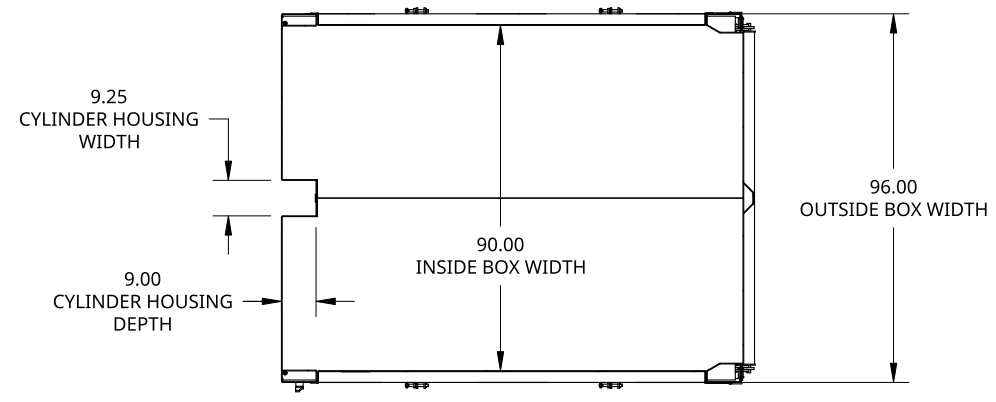
4

3

2

1

KEY FEATURES		
<b>DIMENSIONS (IN)</b>		
INSIDE BOX LENGTH		120
OUTSIDE BOX LENGTH		123.38
INSIDE BOX WIDTH		90
OUTSIDE BOX WIDTH		96
CHASSIS WIDTH		34
HEADBOARD HEIGHT		51
SIDES HEIGHT		15
TAILGATE HEIGHT		21
CYLINDER HOUSING DEPTH		9
CYLINDER HOUSING WIDTH		9.25
<b>FEATURES</b>		
DROP DOWN SIDE PANELS WITH TOOL-LESS REMOVABLE FEATURE		
BI-FOLDING TAILGATE WITH HAND OPERATED DUMP RELEASE LATCH AT FRONT OF BODY		
GREASABLE BODY TILT HINGE		
FULLY ADJUSTABLE TAILGATE DUMPING RELEASE LATCH		
HAND CRANK TARP ROLLER WITH MESH TARP		
FULLY WIRED CLEARANCE LIGHTS ONLY		



STEEL HOT ROLLED 44W TUBE - RECT. - RC 3 X 3 X 0.19 SUB FRAME SIDE TUBE

RELEASED

THIS DOCUMENT IS THE PROPERTY OF TREBOR MANUFACTURING. ANY UNAUTHORIZED REPRODUCTION WILL BE PROSECUTED TO THE FULL EXTENT OF THE LAW.		<b>TREBOR</b> MANUFACTURING		PART NO.	PFDUMP10	REV.	A1
UNLESS OTHERWISE SPECIFIED, DIMENSIONS ARE IN INCHES .XX = ±.1- .XXX = ±.015- .XXXX = ±.005-		DRAWN BY SHAWN CROCKER 07/08/2022 CHANGED BY SHAWN CROCKER 07/12/2022		STANDARD DUMP BODY - 120IN LONG X 96IN WIDE - 51IN HIGH HEADBOARD - 15IN HIGH FOLD DOWN SIDE PANELS - 21IN HIGH BI-FOLDING TAILGATE			
THIRD ANGLE PROJECTION		MATERIAL		SIZE	B	DWG NO.	D18721
		ALUMINUM 5052-H32		SCALE	1:50	WEIGHT	1092.48 LB
				SHEET	1 of 1		

4

3

2

1

D

D

C

C

B

B

A

A