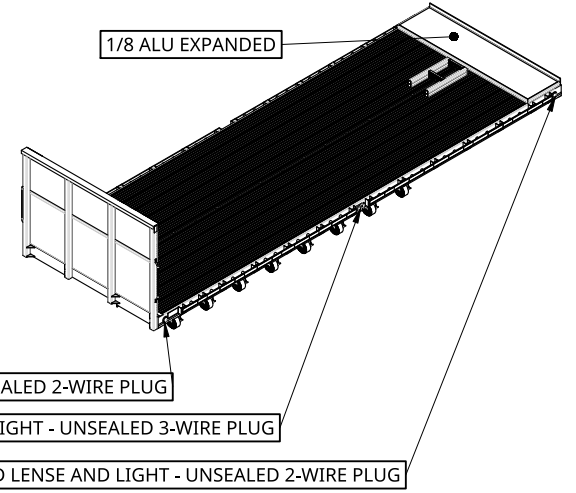
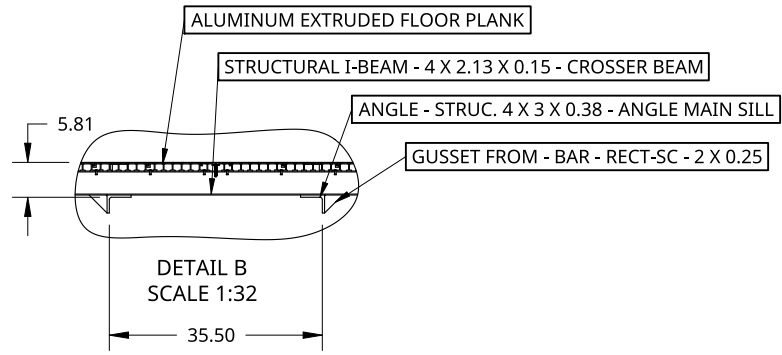


2

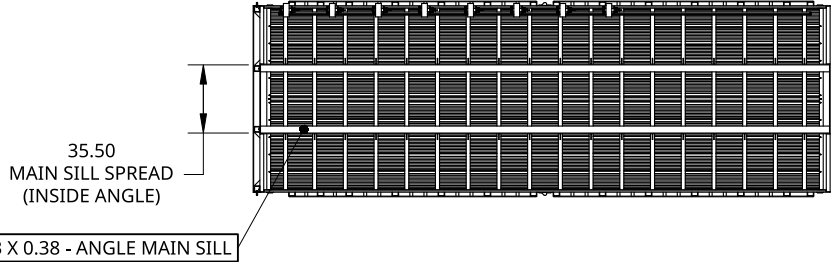
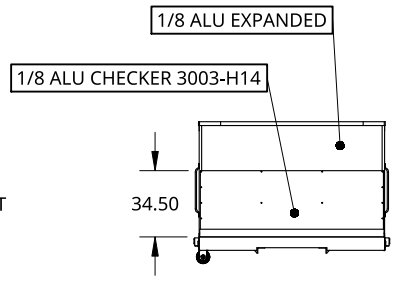
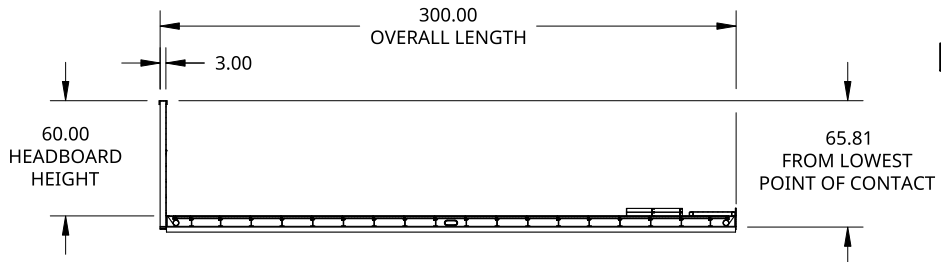
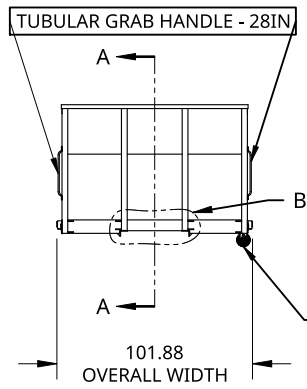
1

| SPECIFICATIONS | |
|-----------------------------------------------------|-------------------------|
| OVERALL LENGTH | 300.00 IN |
| OVERALL WIDTH | 101.88 IN |
| HEADBOARD HEIGHT | 60.00 IN |
| MAIN SILL TYPE | 3 X 4 X 0.38 ANGLE SILL |
| MAIN SILL SPREAD | 35.5IN (INSIDE ANGLE) |
| DRIVERS SIDE WINCHES WITH 3IN STRAPS 5400LB WLL. | X8 |
| TOP OF DECK MOUNTED TAILBOARD (SHIPPED UNINSTALLED) | 24IN HIGH |
| DECK SIDE ACCESS LADDERS (SHIPPED UNINSTALLED) | X2 |
| GRAB HANDLES ON BOTH SIDES OF HEADBOARD | |
| 2.5IN LED CLEARANCE LIGHTS IN FOUR CORNERS | |
| CENTER AMBER CLEARANCE/SIGNAL LIGHT IN SIDE RAIL | |



B

B



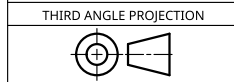
A

A

THIS DOCUMENT IS THE PROPERTY OF TREBOR MANUFACTURING. ANY UNAUTHORIZED REPRODUCTION WILL BE PROSECUTED TO THE FULL EXTENT OF THE LAW



UNLESS OTHERWISE SPECIFIED, DIMENSIONS ARE IN INCHES
 .XX = ±.1-
 .XXX = ±.015-
 .XXXX = ±.005-
 ANGULAR = ±1°
 FRACTIONAL = ±1/8



DRAWN BY SHAWN CROCKER 11/01/2022
 CHANGED BY SHAWN CROCKER 11/09/2022

MATERIAL
 ALU 6061-T6

PART NO. PFAGL25 REV. C

FLAT DECK TRUCK BODY WITH POCKETS AND ANGLE MAIN SILL - 300IN LONG OVERALL X 102IN WIDE - 48IN HIGH HEADBOARD - X8 WINCHES AND STRAPS ON DRIVERS SIDE

SIZE A DWG NO. D23419 REV. A

SCALE 1:100 WEIGHT 1964.36 LB SHEET 1 of 1

2

1