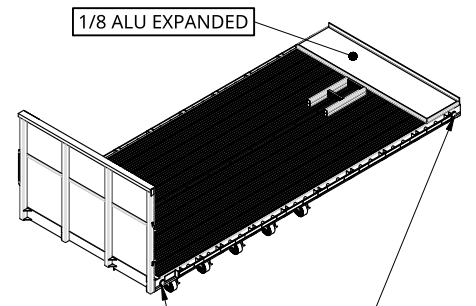
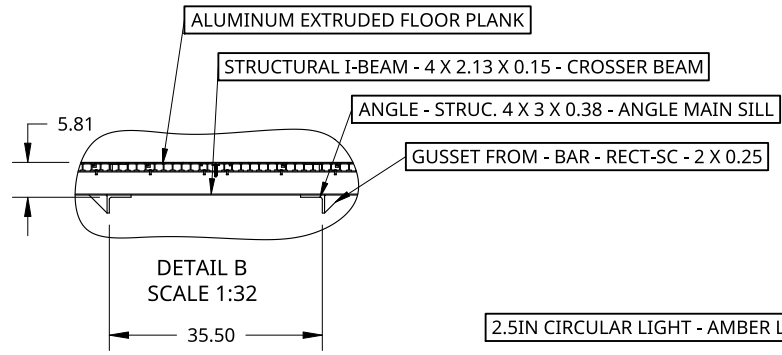


2

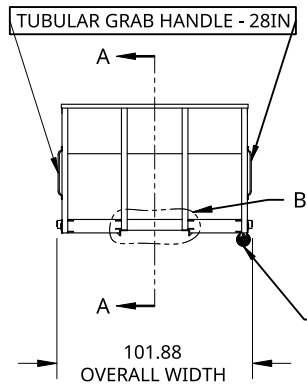
1

SPECIFICATIONS	
OVERALL LENGTH	228.00 IN
OVERALL WIDTH	101.88 IN
HEADBOARD HEIGHT	60.00 IN
MAIN SILL TYPE	3 X 4 X 0.38 ANGLE SILL
MAIN SILL SPREAD	35.5IN (INSIDE ANGLE)
DRIVERS SIDE WINCHES WITH 3IN STRAPS 5400LB WLL.	X5
TOP OF DECK MOUNTED TAILBOARD (SHIPPED UNINSTALLED)	24IN HIGH
DECK SIDE ACCESS LADDERS (SHIPPED UNINSTALLED)	X2
GRAB HANDLES ON BOTH SIDES OF HEADBOARD	
2.5IN LED CLEARANCE LIGHTS IN FOUR CORNERS	

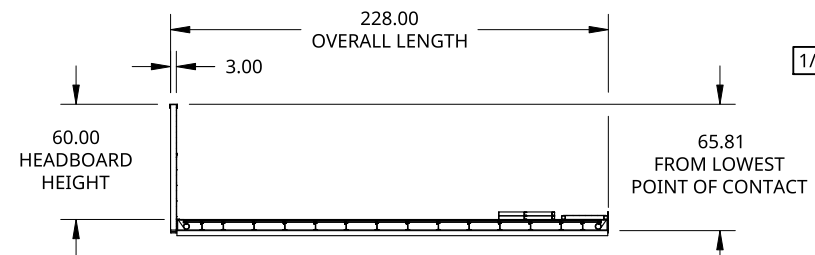


B

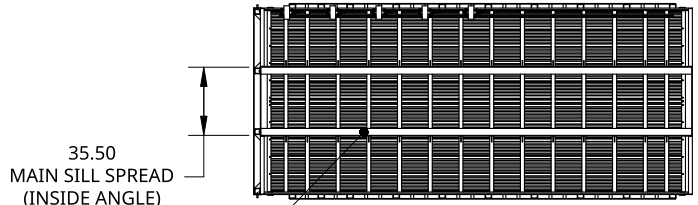
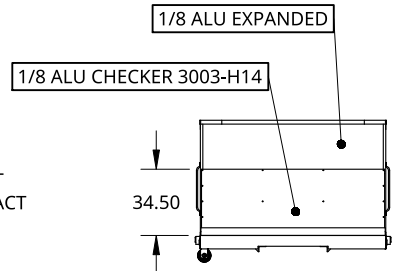
B



X5 WINCHES AND STRAPS ON DRIVERS SIDE



SECTION A - A



ANGLE - STRUC. 4 X 3 X 0.38 - ANGLE MAIN SILL

A

A

2

1

THIS DOCUMENT IS THE PROPERTY OF TREBOR MANUFACTURING. ANY UNAUTHORIZED REPRODUCTION WILL BE PROSECUTED TO THE FULL EXTENT OF THE LAW



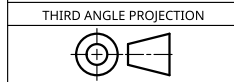
PART NO.	PFAGL19	REV.	A
----------	---------	------	---

UNLESS OTHERWISE SPECIFIED, DIMENSIONS ARE IN INCHES
 .XX = ±.1-
 .XXX = ±.015-
 .XXXX = ±.005-

ANGULAR = ±1°
 FRACTIONAL = ±1/8
 ±1/8

DRAWN BY	SHAWN CROCKER	11/01/2022
CHANGED BY	SHAWN CROCKER	11/04/2022

FLAT DECK TRUCK BODY WITH POCKETS AND ANGLE MAIN SILL - 228IN LONG OVERALL X 102IN WIDE - 48IN HIGH HEADBOARD - X5 WINCHES AND STRAPS ON DRIVERS SIDE



MATERIAL
 ALU 6061-T6

SIZE	A	DWG. NO.	D23207	REV.	A
SCALE	1:100	WEIGHT	1539.44 LB	SHEET	1 of 1