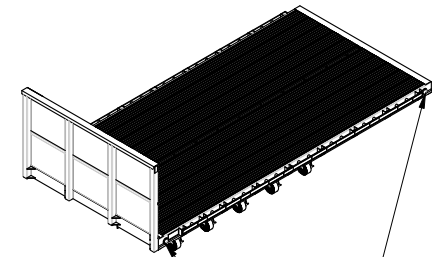
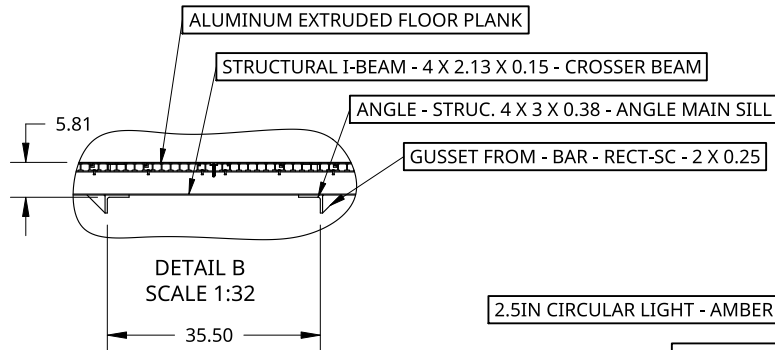


SPECIFICATIONS	
OVERALL LENGTH	204.00 IN
OVERALL WIDTH	101.88 IN
HEADBOARD HEIGHT	48.00 IN
MAIN SILL TYPE	3 X 4 X 0.38 ANGLE SILL
MAIN SILL SPREAD	35.5IN (INSIDE ANGLE)
DRIVERS SIDE WINCHES WITH 3IN STRAPS 5400LB WLL.	X5
2.5IN LED CLEARANCE LIGHTS IN FOUR CORNERS	



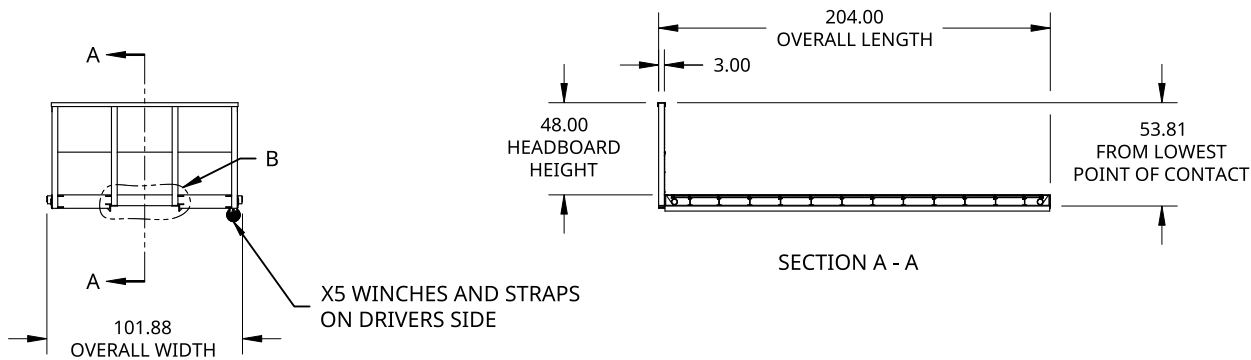
2.5IN CIRCULAR LIGHT - AMBER LENSE AND LIGHT - UNSEALED 2-WIRE PLUG

2.5IN CIRCULAR LIGHT - RED LENSE AND LIGHT - UNSEALED 2-WIRE PLUG

1/8 ALU EXPANDED

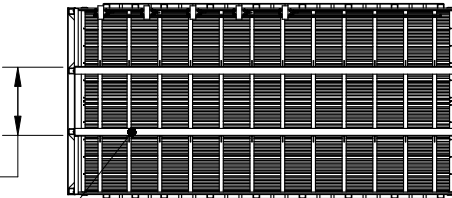
1/8 ALU CHECKER 3003-H14

22.50



35.50
MAIN SILL SPREAD
(INSIDE ANGLE)

ANGLE - STRUC. 4 X 3 X 0.38 - ANGLE MAIN SILL

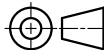


THIS DOCUMENT IS THE PROPERTY OF TREBOR MANUFACTURING. ANY UNAUTHORIZED REPRODUCTION WILL BE PROSECUTED TO THE FULL EXTENT OF THE LAW

UNLESS OTHERWISE SPECIFIED, DIMENSIONS ARE IN INCHES

.XX = ±.1-
.XXX = ±.015- ANGULAR = ±1°
.XXXX = ±.005- FRACTIONAL = ±1/8

THIRD ANGLE PROJECTION



DRAWN BY	SHAWN CROCKER	11/01/2022
CHANGED BY	SHAWN CROCKER	11/09/2022

MATERIAL
ALU 6061-T6

PART NO.	PFAGL17		REV.	A
FLAT DECK TRUCK BODY WITH POCKETS AND ANGLE MAIN SILL - 204IN LONG OVERALL X 102IN WIDE - 48IN HIGH HEADBOARD - X5 WINCHES AND STRAPS ON DRIVERS SIDE				
SIZE	A	DWG NO.	D23081	
SCALE	1:100	WEIGHT	1316.47 LB	SHEET 1 of 1
REV.	A			