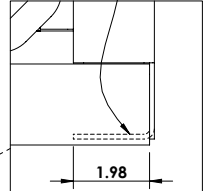
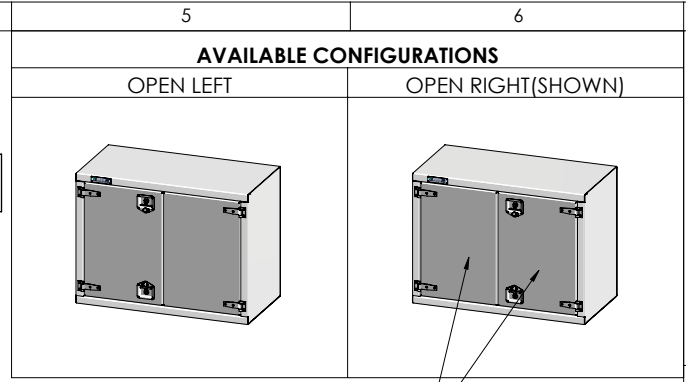


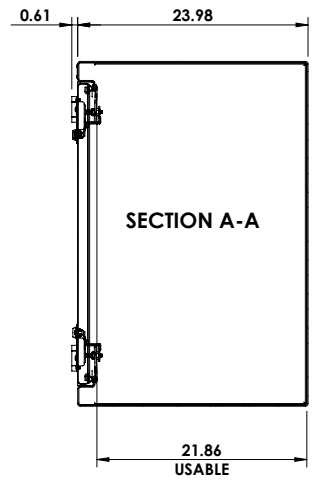
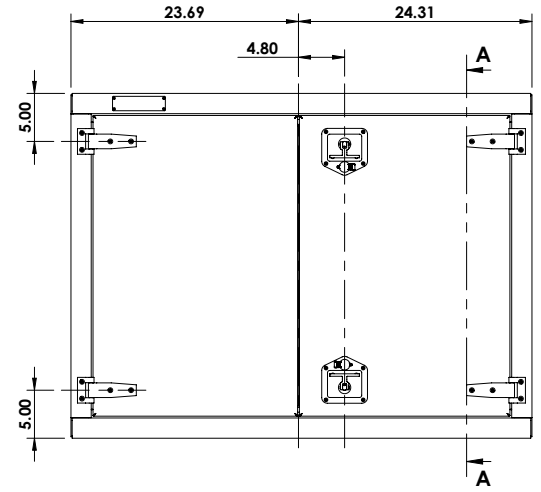
REINFORCEMENT FLANGE FORMED INTO RIGHT AND LEFT BOTTOM CORNERS



DETAIL B  
SCALE 1 : 5



DOORS ARE MADE OF 18g SS Mirror 304



REVISIONS		
REV.	DESCRIPTION	DATE
1	INITIAL RELEASE	01/13/2017

REV: **1**  
DATE: 1/13/2017



This Document is the sole property of Trebor Manufacturing

SHEET SCALE: 1:20 SHEET SIZE: 8.5" x 11" PAGE: 1 OF 1

Dimensions are in inches unless otherwise specified

PART NO: **TRPLSS3648**

DESCR: **24D" x 36H" x 48W" Under body tool box w/2 Stainless doors Right hand , Locking t-handle**

MATERIAL: **0.125 Alum. Plain 3003-H14**

APROX. WEIGHT: **111.89 LB** USABLE VOL.: **21.75 CU. FT.**

TOLERANCES: **.xx ± 0.13" .xxx ± 0.010"**