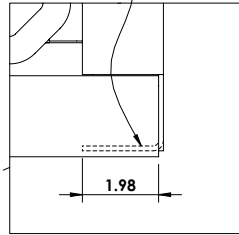
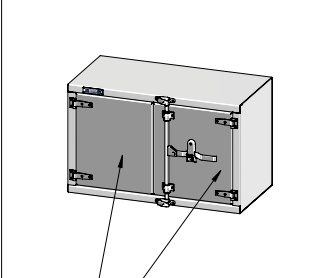
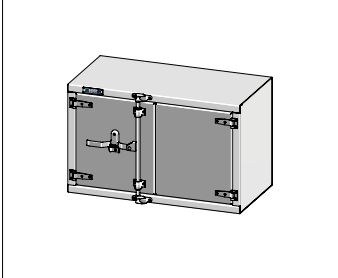


REINFORCEMENT FLANGE FORMED INTO RIGHT AND LEFT BOTTOM CORNERS

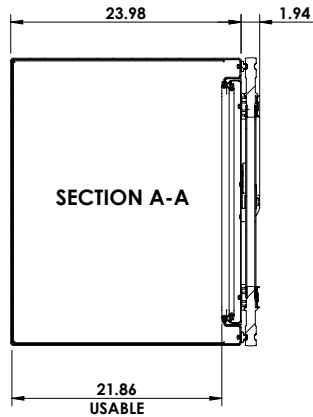
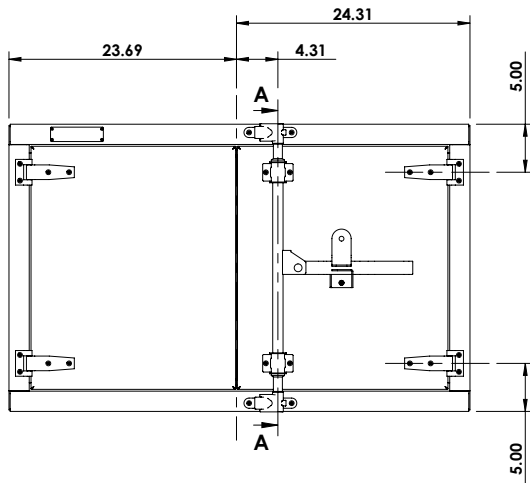


DETAIL B  
SCALE 1 : 5

AVAILABLE CONFIGURATIONS



DOORS ARE MADE OF 18g SS Mirror 304



REVISIONS		
REV.	DESCRIPTION	DATE
1	INITIAL RELEASE	01/13/2017

REV: **1**  
DATE: 1/13/2017

SHEET SCALE: 1:20 SHEET SIZE: 8.5" x 11" PAGE: 1 OF 1

This Document is the sole property of Trebor Manufacturing

Dimensions are in inches unless otherwise specified

PARTNO: **TRPLSS3048P**  
DESCR: **24D" x 30H" x 48W" Under body tool box w/2 Stainless doors Right hand , Compression cam lock**

MATERIAL: **0.125 Alum. Plain 3003-H14**  
APROX. WEIGHT: **108.66 LB** USABLE VOL.: **18.09 CU. FT.**  
TOLERANCES: **.xx ± 0.13" .xxx ± 0.010"**

	1	2	3	4	5	6
A	[Diagrams and Text]				[Available Configurations]	
B	[Diagrams and Text]				[Available Configurations]	
C	[Diagrams and Text]				[Available Configurations]	
D	[Diagrams and Text]				[Available Configurations]	