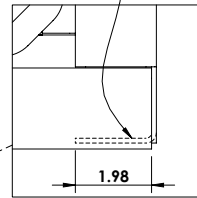
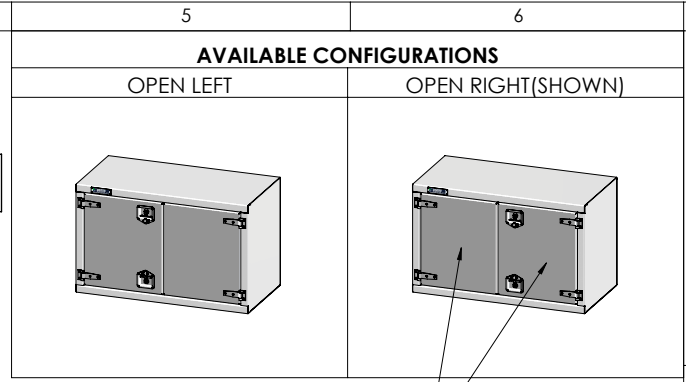


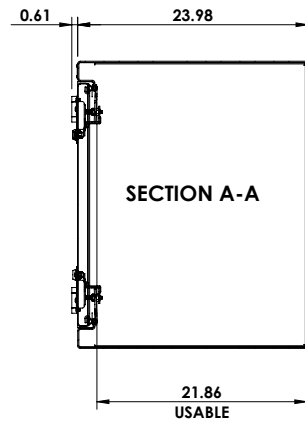
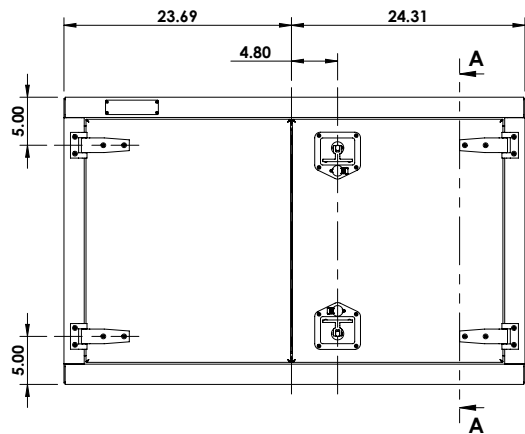
REINFORCEMENT FLANGE FORMED INTO RIGHT AND LEFT BOTTOM CORNERS



DETAIL B  
SCALE 1 : 5



DOORS ARE MADE OF 18g SS Mirror 304



REVISIONS		
REV.	DESCRIPTION	DATE
1	INITIAL RELEASE	01/13/2017

REV: <b>1</b> DATE: 1/13/2017		This Document is the sole property of <b>Trebor Manufacturing</b>

Dimensions are in inches unless otherwise specified

PART NO: **TRPLSS3048**

MATERIAL: **0.125 Alum. Plain 3003-H14**

DESCR: **24D" x 30H" x 48W" Under body tool box w/2 Stainless doors Right hand, Locking t-handle**

Aprox. Weight: **99.72 LB**      Usable Vol.: **18.09 CU. FT.**

TOLERANCES: **.xx ± 0.13"    .xxx ± 0.010"**