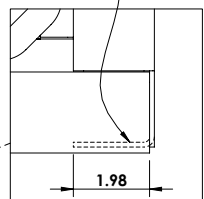
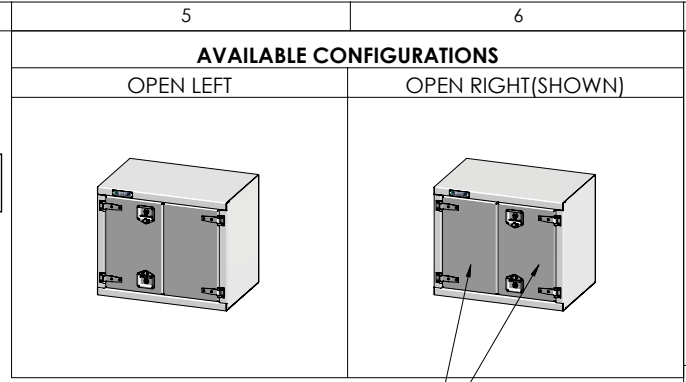


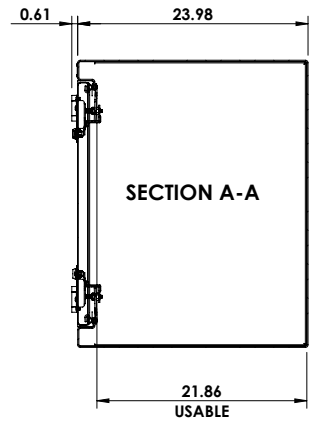
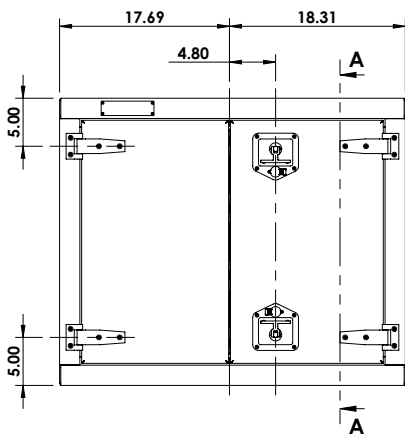
REINFORCEMENT FLANGE FORMED INTO RIGHT AND LEFT BOTTOM CORNERS



DETAIL B  
SCALE 1 : 5



DOORS ARE MADE OF 18g SS Mirror 304



REVISIONS		
REV.	DESCRIPTION	DATE
1	INITIAL RELEASE	01/13/2017

	This Document is the sole property of <i>Trebor Manufacturing</i>

Dimensions are in inches unless otherwise specified	PARTNO: <b>TRPLSS3036</b>	MATERIAL: <b>0.125 Alum. Plain 3003-H14</b>
	DESCR: <b>24D" x 30H" x 36W" Under body tool box w/2 Stainless doors Right hand , Locking t-handle</b>	APROX. WEIGHT: <b>81.94 LB</b> USABLE VOL.: <b>13.54 CU. FT.</b>
	TOLERANCES: <b>.xx ± 0.13"    .xxx ± 0.010"</b>	