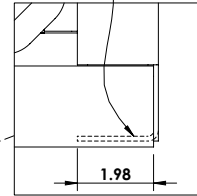


REINFORCEMENT FLANGE FORMED INTO RIGHT AND LEFT BOTTOM CORNERS

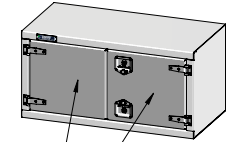


DETAIL B  
SCALE 1 : 5

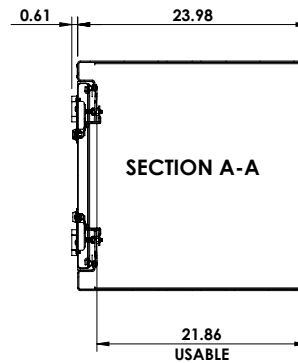
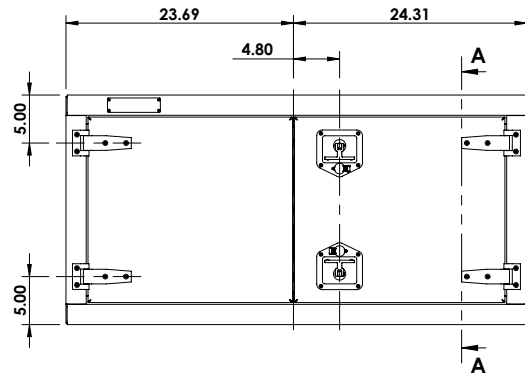
AVAILABLE CONFIGURATIONS

OPEN LEFT

OPEN RIGHT (SHOWN)




DOORS ARE MADE OF 18g SS Mirror 304



REVISIONS		
REV.	DESCRIPTION	DATE
1	INITIAL RELEASE	01/13/2017

Dimensions are in inches unless otherwise specified <b>PARTNO: TRPLSS2448</b> <b>DESCR: 24D" x 24H" x 48W" Under body tool box w/2 Stainless doors Right hand , Locking t-handle</b>	<b>MATERIAL: 0.125 Alum. Plain 3003-H14</b>	<b>REV: 1</b>		This Document is the sole property of <b>Trebor Manufacturing</b>
	<b>APROX. WEIGHT: 87.56 LB</b> <b>USABLE VOL.: 14.43 CU. FT.</b>	<b>DATE: 1/13/2017</b>		