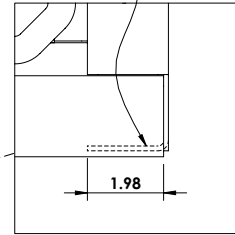


REINFORCEMENT FLANGE FORMED INTO RIGHT AND LEFT BOTTOM CORNERS

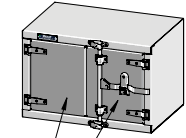
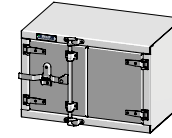


DETAIL B  
SCALE 1 : 5

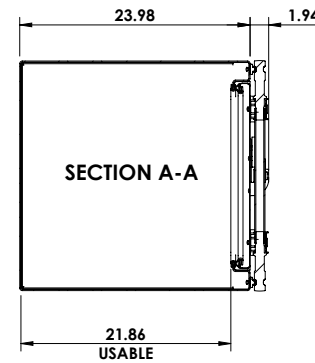
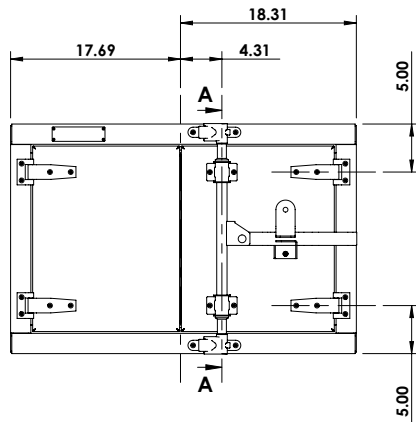
**AVAILABLE CONFIGURATIONS**

OPEN LEFT

OPEN RIGHT(SHOWN)



DOORS ARE MADE OF 18g SS Mirror 304



REVISIONS		
REV.	DESCRIPTION	DATE
1	INITIAL RELEASE	01/13/2017

REV: **1**  
DATE: 1/13/2017



This Document is the sole property of *Trebor Manufacturing*

SHEET SCALE: 1:20 SHEET SIZE: 8.5" x 11" PAGE: 1 OF 1

Dimensions are in inches unless otherwise specified

PARTNO: **TRPLSS2436P**  
DESCR: **24D" x 24H" x 36W" Under body tool box w/2 Stainless doors Right hand , Compression cam lock**

MATERIAL: **0.125 Alum. Plain 3003-H14**  
APROX. WEIGHT: **79.91 LB** USABLE VOL.: **10.8 CU. FT.**  
TOLERANCES: **.xx ± 0.13" .xxx ± 0.010"**

	1	2	3	4	5	6
A					<b>AVAILABLE CONFIGURATIONS</b> OPEN LEFT      OPEN RIGHT(SHOWN)	
B					DOORS ARE MADE OF 18g SS Mirror 304	
C						
D					PARTNO: <b>TRPLSS2436P</b> DESCR: <b>24D" x 24H" x 36W" Under body tool box w/2 Stainless doors Right hand , Compression cam lock</b>	
	1	2	3	4	5	6