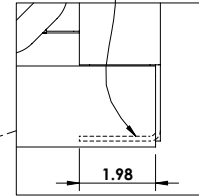


REINFORCEMENT FLANGE FORMED INTO RIGHT AND LEFT BOTTOM CORNERS

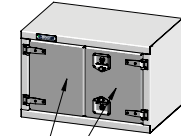
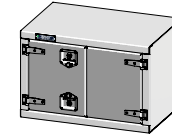


DETAIL B  
SCALE 1 : 5

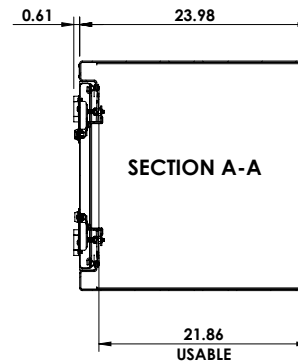
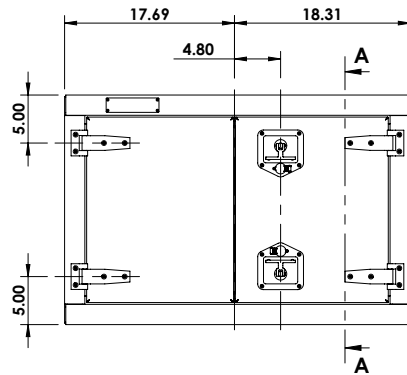
**AVAILABLE CONFIGURATIONS**

OPEN LEFT

OPEN RIGHT (SHOWN)



DOORS ARE MADE OF 18g SS Mirror 304



REVISIONS		
REV.	DESCRIPTION	DATE
1	INITIAL RELEASE	01/13/2017

PARTNO: <b>TRPLSS2436</b> DIMENSIONS: 24D" x 24H" x 36W" Under body tool box w/2 Stainless doors Right hand , Locking t-handle	MATERIAL: <b>0.125 Alum. Plain 3003-H14</b>	REV: <b>1</b>		This Document is the sole property of <b>Trebor Manufacturing</b>
	APROX. WEIGHT: <b>71.62 LB</b> USABLE VOL.: <b>10.8 CU. FT.</b>	DATE: <b>1/13/2017</b>		

Dimensions are in inches unless otherwise specified