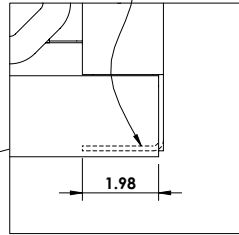
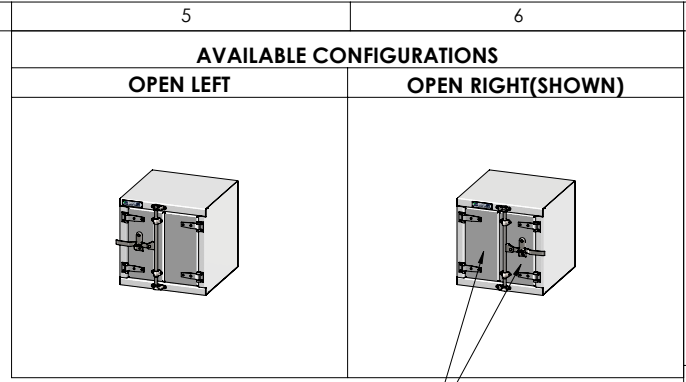


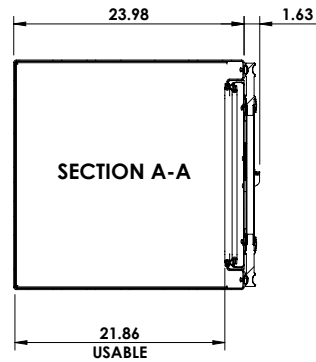
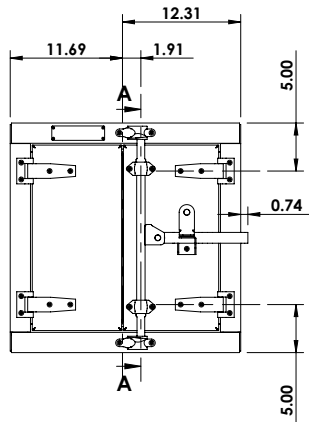
REINFORCEMENT FLANGE FORMED INTO RIGHT AND LEFT BOTTOM CORNERS



DETAIL B  
SCALE 1 : 5



DOORS ARE MADE OF 18g SS Mirror 304



REVISIONS		
REV.	DESCRIPTION	DATE
1	INITIAL RELEASE	01/13/2017

Dimensions are in inches unless otherwise specified	<b>PARTNO: TRPLSS2424P</b>	<b>MATERIAL: 0.125 Alum. Plain 3003-H14</b>	<b>REV: 1</b>		This Document is the sole property of <b>Trebor Manufacturing</b>
	<b>DESCR: 24D" x 24H" x 24W" Under body tool box w/2 Stainless doors Right hand , Compression cam lock</b>	<b>APROX. WEIGHT: 59.18 LB</b>	<b>USABLE VOL.: 7.18 CU. FT.</b>		
		<b>TOLERANCES: .xx ± 0.13" .xxx ± 0.010"</b>	<b>SHEET SCALE: 1:20</b>	<b>SHEET SIZE: 8.5" x 11"</b>	<b>PAGE: 1 OF 1</b>