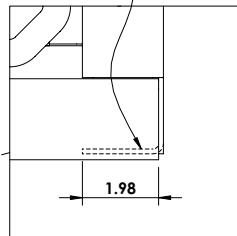
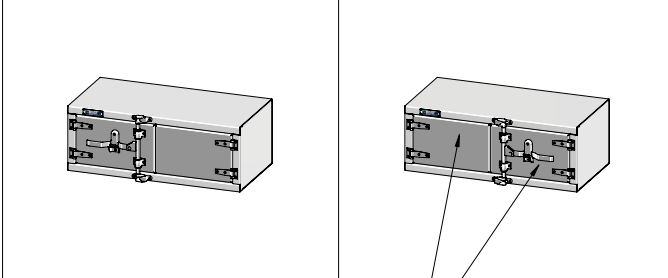


REINFORCEMENT FLANGE FORMED INTO RIGHT AND LEFT BOTTOM CORNERS

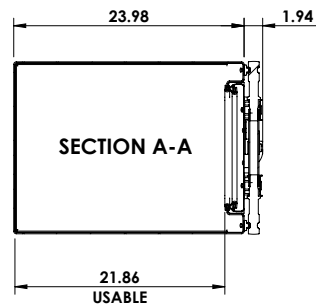
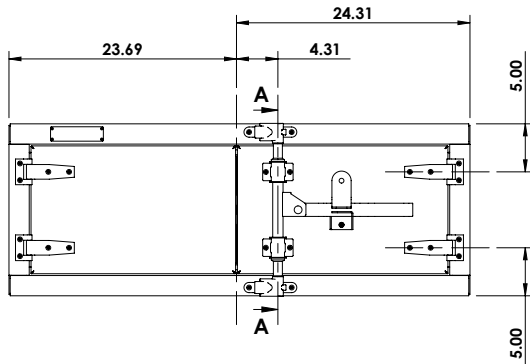


DETAIL B  
SCALE 1 : 5

AVAILABLE CONFIGURATIONS



DOORS ARE MADE OF 18g SS Mirror 304



REVISIONS		
REV.	DESCRIPTION	DATE
1	INITIAL RELEASE	01/13/2017

REV: **1**  
DATE: 1/13/2017



This Document is the sole property of Trebor Manufacturing

SHEET SCALE: 1:20 SHEET SIZE: 8.5" x 11" PAGE: 1 OF 1

Dimensions are in inches unless otherwise specified

PART NO: **TRPLSS1848P**  
DESCR: **24D" x 18H" x 48W" Under body tool box w/2 Stainless doors Right hand , Compression cam lock**

MATERIAL: **0.125 Alum. Plain 3003-H14**  
APROX. WEIGHT: **83.04 LB** USABLE VOL.: **10.77 CU. FT.**  
TOLERANCES: **.xx ± 0.13" .xxx ± 0.010"**

	1	2	3	4	5	6									
A					<p>AVAILABLE CONFIGURATIONS</p> <p>OPEN LEFT      OPEN RIGHT (SHOWN)</p> <p>DOORS ARE MADE OF 18g SS Mirror 304</p>										
B															
C															
D	<p>Dimensions are in inches unless otherwise specified</p> <p>PART NO: <b>TRPLSS1848P</b> DESCR: <b>24D" x 18H" x 48W" Under body tool box w/2 Stainless doors Right hand , Compression cam lock</b></p> <p>MATERIAL: <b>0.125 Alum. Plain 3003-H14</b> APROX. WEIGHT: <b>83.04 LB</b> USABLE VOL.: <b>10.77 CU. FT.</b> TOLERANCES: <b>.xx ± 0.13" .xxx ± 0.010"</b></p>				<table border="1"> <thead> <tr> <th colspan="3">REVISIONS</th> </tr> <tr> <th>REV.</th> <th>DESCRIPTION</th> <th>DATE</th> </tr> </thead> <tbody> <tr> <td>1</td> <td>INITIAL RELEASE</td> <td>01/13/2017</td> </tr> </tbody> </table> <p>REV: <b>1</b> DATE: 1/13/2017</p> <p>This Document is the sole property of Trebor Manufacturing</p> <p>SHEET SCALE: 1:20 SHEET SIZE: 8.5" x 11" PAGE: 1 OF 1</p>		REVISIONS			REV.	DESCRIPTION	DATE	1	INITIAL RELEASE	01/13/2017
REVISIONS															
REV.	DESCRIPTION	DATE													
1	INITIAL RELEASE	01/13/2017													
	1	2	3	4	5	6									