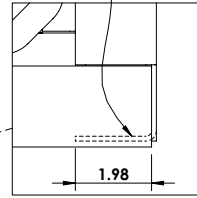
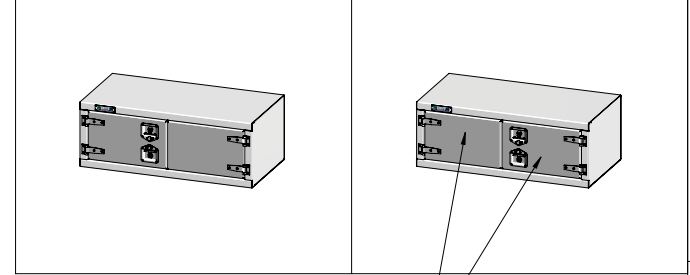


REINFORCEMENT FLANGE FORMED INTO RIGHT AND LEFT BOTTOM CORNERS

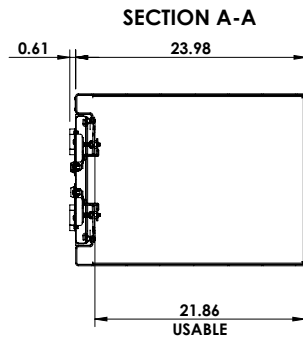
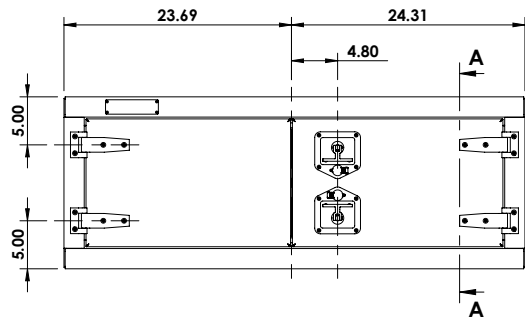


DETAIL B  
SCALE 1 : 5

**AVAILABLE CONFIGURATIONS**



DOORS ARE MADE OF 18g SS Mirror 304



REVISIONS		
REV.	DESCRIPTION	DATE
1	INITIAL RELEASE	01/13/2017

REV: <b>1</b> DATE: <b>1/13/2017</b>		This Document is the sole property of <b>Trebor Manufacturing</b>

Dimensions are in inches unless otherwise specified

PARTNO: **TRPLSS1848**

DESCR: **24D" x 18H" x 48W" Under body tool box w/2 Stainless doors Right hand , Locking t-handle**

MATERIAL: **0.125 Alum. Plain 3003-H14**

APROX. WEIGHT: **75.40 LB**      USABLE VOL.: **10.77 CU. FT.**

TOLERANCES: **.xx ± 0.13"    .xxx ± 0.010"**