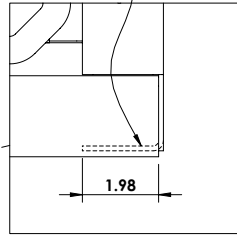
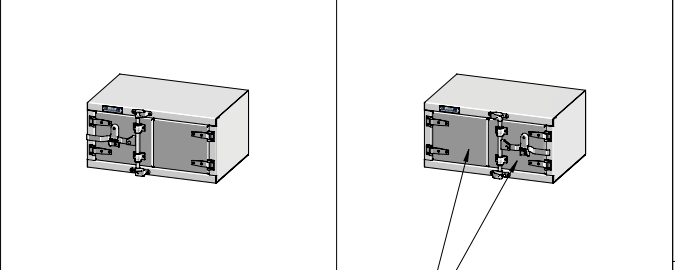


REINFORCEMENT FLANGE FORMED INTO RIGHT AND LEFT BOTTOM CORNERS

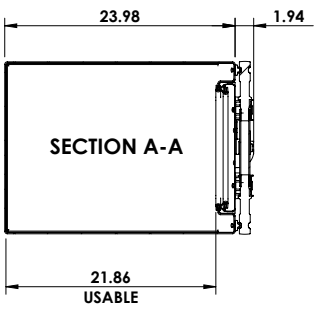
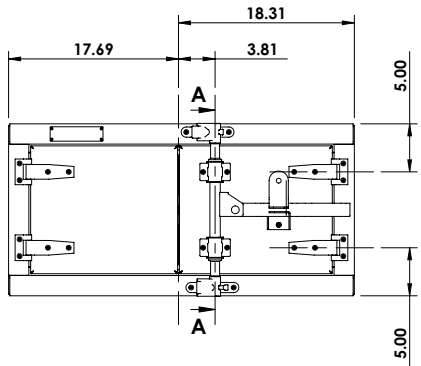


DETAIL B  
SCALE 1 : 5

AVAILABLE CONFIGURATIONS



DOORS ARE MADE OF 18g SS Mirror 304



REVISIONS		
REV.	DESCRIPTION	DATE
1	INITIAL RELEASE	01/13/2017

REV: **1**  
DATE: 1/13/2017



This Document is the sole property of Trebor Manufacturing

SHEET SCALE: 1:20 SHEET SIZE: 8.5" x 11" PAGE: 1 OF 1

Dimensions are in inches unless otherwise specified

PARTNO: **TRPLSS1836P**  
DESCR: **24D" x 18H" x 36W" Under body tool box w/2 Stainless doors Right hand , Compression cam lock**

MATERIAL: **0.125 Alum. Plain 3003-H14**  
APROX. WEIGHT: **68.95 LB** USABLE VOL.: **8.06 CU. FT.**  
TOLERANCES: **.xx ± 0.13" .xxx ± 0.010"**

	1	2	3	4	5	6
A					<p>AVAILABLE CONFIGURATIONS</p> <p>OPEN LEFT      OPEN RIGHT (SHOWN)</p> <p>DOORS ARE MADE OF 18g SS Mirror 304</p>	
B						
C						
D						
	1	2	3	4	5	6