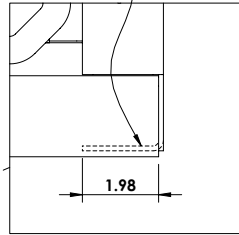


REINFORCEMENT FLANGE FORMED INTO RIGHT AND LEFT BOTTOM CORNERS

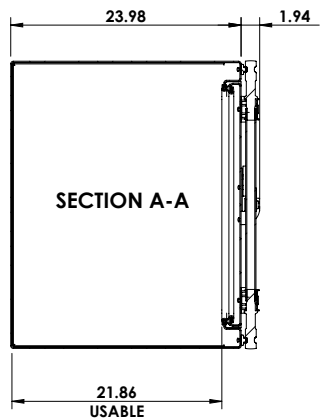
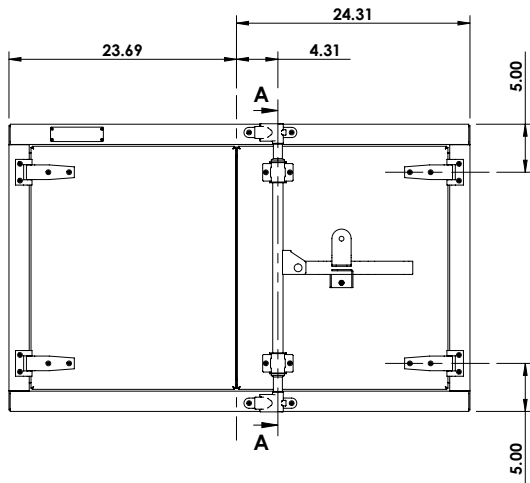
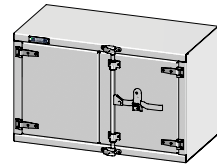
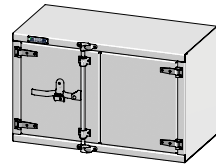


DETAIL B
SCALE 1 : 5

AVAILABLE CONFIGURATIONS

OPEN LEFT

OPEN RIGHT(SHOWN)



REVISIONS		
REV.	DESCRIPTION	DATE
1	INITIAL RELEASE	01/13/2017

REV: **1**
DATE: 1/13/2017



This Document is the sole property of Trebor Manufacturing

SHEET SCALE: 1:20 SHEET SIZE: 8.5" x 11" PAGE: 1 OF 1

Dimensions are in inches unless otherwise specified

PART NO: **TRPL3048P**
DESCR: **24D" x 30H" x 48W" Under body tool box w/2 doors Right hand, Compression cam lock**

MATERIAL: **0.125 Alum. Plain 3003-H14**
APROX. WEIGHT: **107.14 LB** USABLE VOL.: **18.09 CU. FT.**
TOLERANCES: **.xx ± 0.13" .xxx ± 0.010"**

	1	2	3	4	5	6
A					<p>AVAILABLE CONFIGURATIONS</p> <p>OPEN LEFT OPEN RIGHT(SHOWN)</p>	
B						
C						
D						
	1	2	3	4	5	6