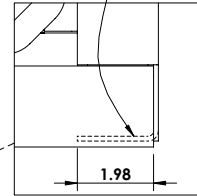
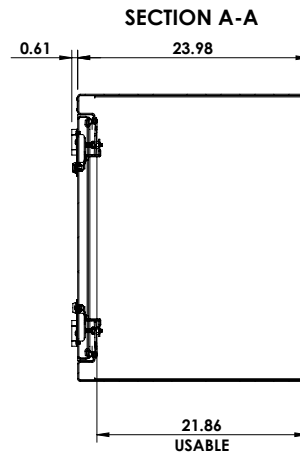
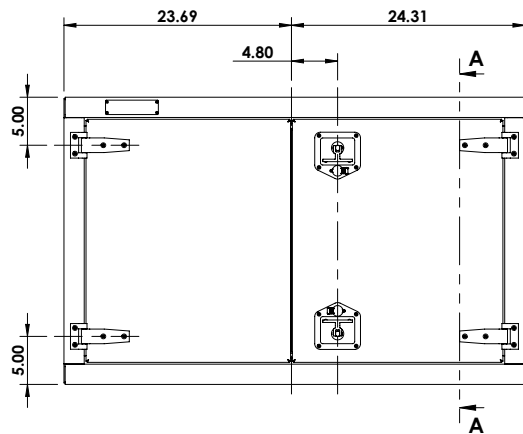
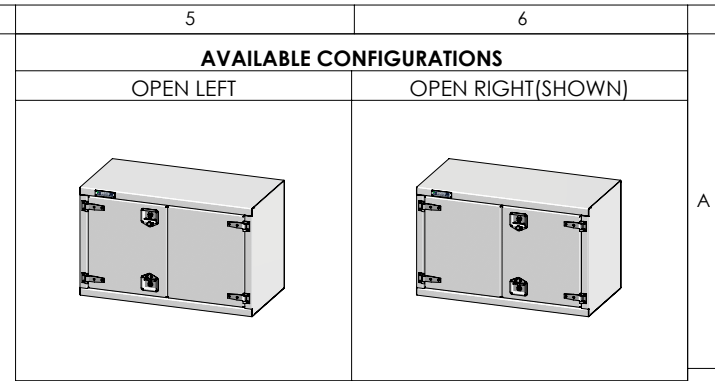


REINFORCEMENT FLANGE FORMED INTO RIGHT AND LEFT BOTTOM CORNERS



DETAIL B
SCALE 1 : 5



REVISIONS		
REV.	DESCRIPTION	DATE
1	INITIAL RELEASE	01/13/2017

	This Document is the sole property of <i>Trebor Manufacturing</i>

Dimensions are in inches unless otherwise specified

PART NO: **TRPL3048**

DESCR: **24D" x 30H" x 48W" Under body tool box w/2 doors Right hand, Locking t-handle**

MATERIAL: **0.125 Alum. Plain 3003-H14**

APROX. WEIGHT: **98.22 LB** USABLE VOL.: **18.09 CU. FT.**

TOLERANCES: **.xx ± 0.13" .xxx ± 0.010"**

REV: **1**

DATE: **1/13/2017**