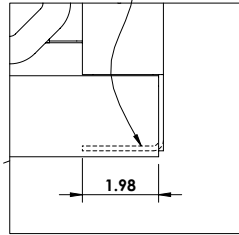
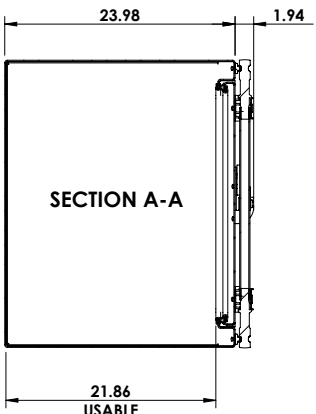
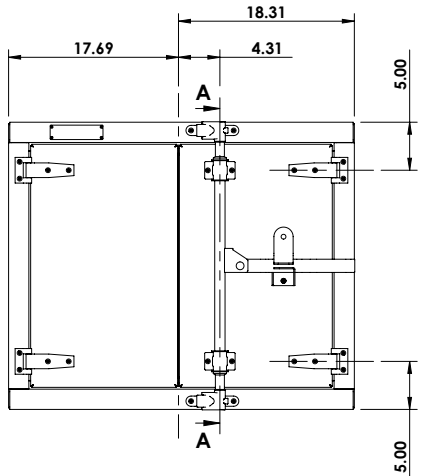
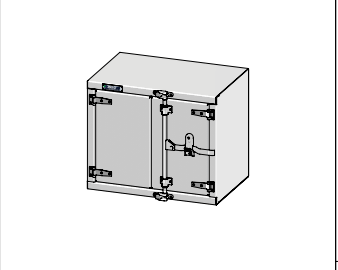
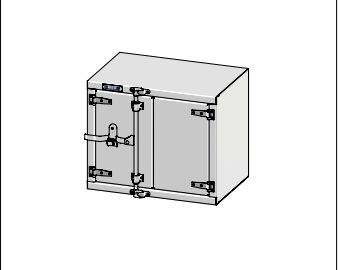


REINFORCEMENT FLANGE FORMED INTO RIGHT AND LEFT BOTTOM CORNERS



DETAIL B
SCALE 1 : 5

AVAILABLE CONFIGURATIONS



REVISIONS		
REV.	DESCRIPTION	DATE
1	INITIAL RELEASE	01/13/2017

REV: **1**
DATE: 1/13/2017



This Document is the sole property of Trebor Manufacturing

SHEET SCALE: 1:20 SHEET SIZE: 8.5" x 11" PAGE: 1 OF 1

Dimensions are in inches unless otherwise specified

PARTNO: **TRPL3036P**
DESCR: **24D" x 30H" x 36W" Under body tool box w/2 doors Right hand , Compression cam lock**

MATERIAL: **0.125 Alum. Plain 3003-H14**
APROX. WEIGHT: **89.71 LB** USABLE VOL.: **13.54 CU. FT.**
TOLERANCES: **.xx ± 0.13" .xxx ± 0.010"**

	1	2	3	4	5	6
A					AVAILABLE CONFIGURATIONS	
B					OPEN LEFT	OPEN RIGHT(SHOWN)
C					REVISIONS	
D					REV: 1 DATE: 1/13/2017	
	1	2	3	4	5	6