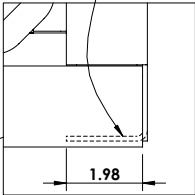
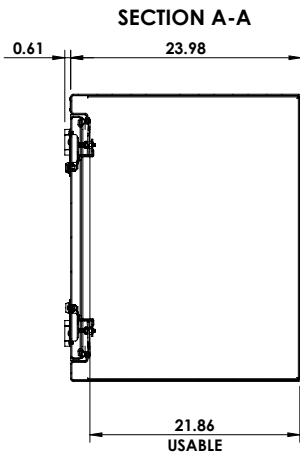
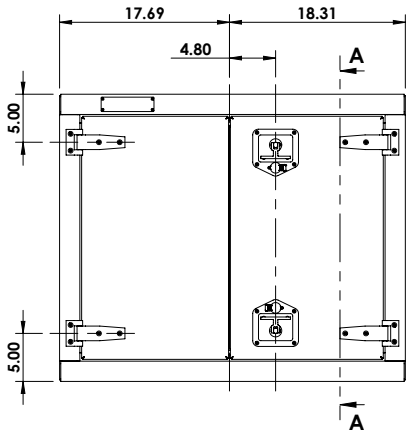
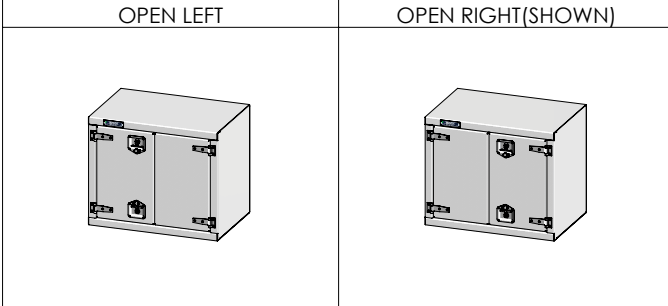


REINFORCEMENT FLANGE FORMED INTO
RIGHT AND LEFT BOTTOM CORNERS



DETAIL B
SCALE 1 : 5

AVAILABLE CONFIGURATIONS



REVISIONS		
REV.	DESCRIPTION	DATE
1	INITIAL RELEASE	01/13/2017

REV: **1**
DATE: 1/13/2017



This Document is the
sole property of
Trebor Manufacturing

SHEET SCALE: 1:20 SHEET SIZE: 8.5" x 11" PAGE: 1 OF 1

Dimensions are in
inches unless
otherwise specified

PARTNO: **TRPL3036**
DESCR: **24D" x 30H" x 36W" Under body tool box w/2 doors Right hand , Locking t-handle**

MATERIAL: **0.125 Alum. Plain 3003-H14**
APROX. WEIGHT: **80.79 LB** USABLE VOL.: **13.54 CU. FT.**
TOLERANCES: **.xx ± 0.13" .xxx ± 0.010"**