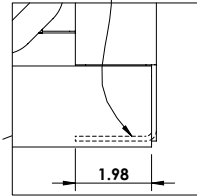
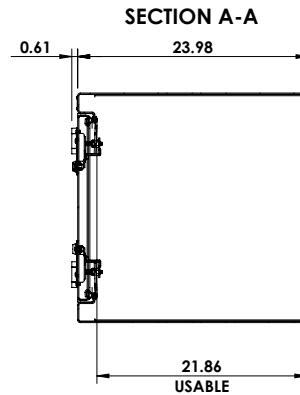
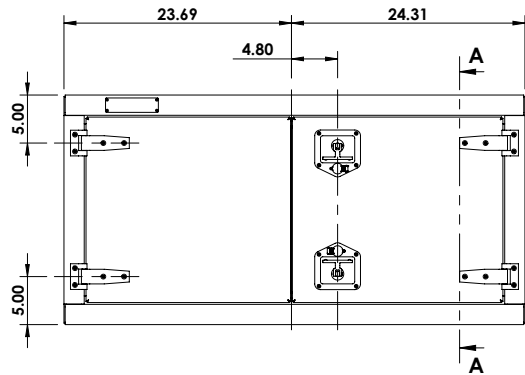
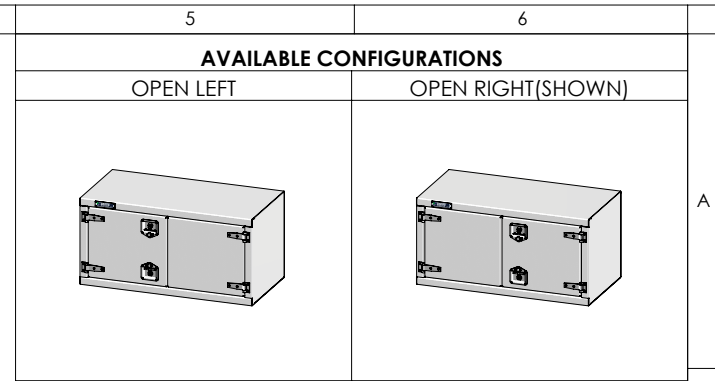


**REINFORCEMENT FLANGE FORMED INTO
RIGHT AND LEFT BOTTOM CORNERS**



**DETAIL B
SCALE 1 : 5**



REVISIONS		
REV.	DESCRIPTION	DATE
1	INITIAL RELEASE	01/13/2017

PARTNO: TRPL2448 DESC: 24D" x 24H" x 48W" Under body tool box w/2 doors Right hand, Locking t-handle	MATERIAL: 0.125 Alum. Plain 3003-H14	REV: 1		This Document is the sole property of Trebor Manufacturing
	APROX. WEIGHT: 86.37 LB	USABLE VOL.: 14.43 CU. FT.		
TOLERANCES: .xx ± 0.13" .xxx ± 0.010"		SHEET SCALE: 1:20	SHEET SIZE: 8.5" x 11"	PAGE: 1 OF 1

Dimensions are in inches unless otherwise specified