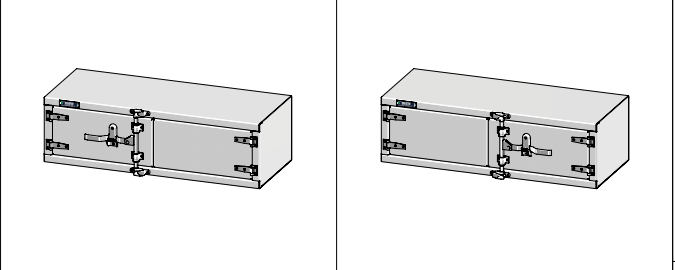
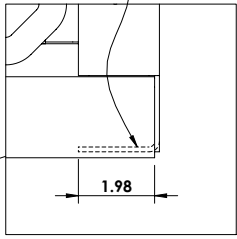


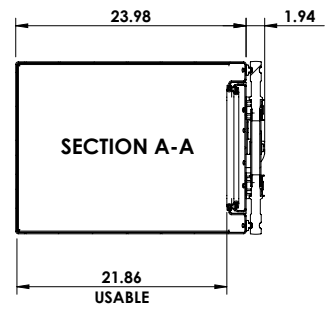
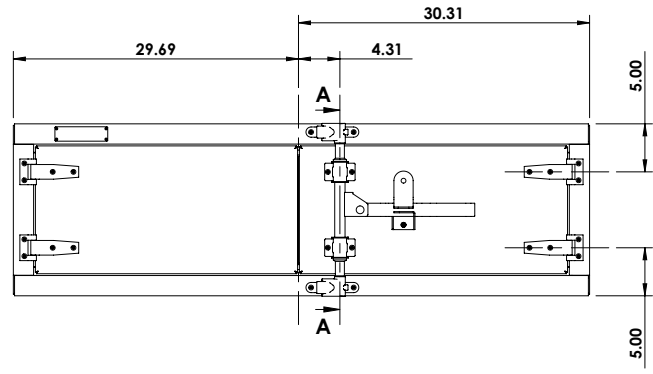
AVAILABLE CONFIGURATIONS



REINFORCEMENT FLANGE FORMED INTO RIGHT AND LEFT BOTTOM CORNERS



DETAIL B
SCALE 1 : 5



REVISIONS		
REV.	DESCRIPTION	DATE
1	INITIAL RELEASE	01/13/2017

REV: 1		This Document is the sole property of <i>Trebor Manufacturing</i>	
			DATE: 1/13/2017

Dimensions are in inches unless otherwise specified

PART NO: **TRPL1860P**

MATERIAL: **0.125 Alum. Plain 3003-H14**

DESCR: **24D" x 18H" x 60W" Under body tool box w/2 doors Right hand, Compression cam lock**

Aprox. Weight: **96.03 LB** Usable Vol.: **13.48 CU. FT.**

TOLERANCES: **.xx ± 0.13" .xxx ± 0.010"**