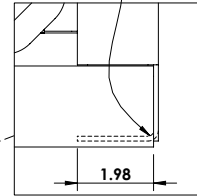
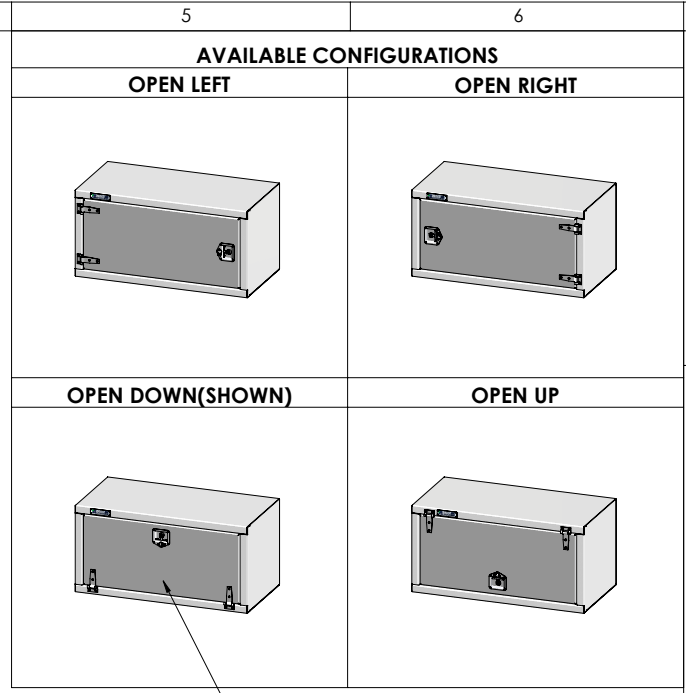


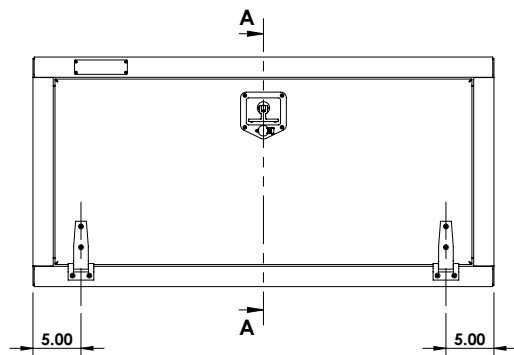
REINFORCEMENT FLANGE FORMED INTO RIGHT AND LEFT BOTTOM CORNERS



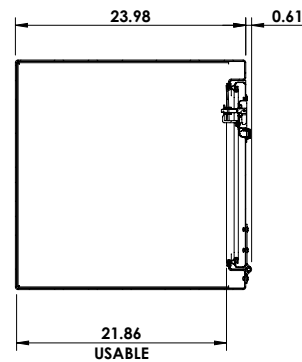
DETAIL B
SCALE 1 : 5



DOOR IS MADE OF 18g SS Mirror 304



SECTION A-A



REVISIONS		
REV.	DESCRIPTION	DATE
1	INITIAL RELEASE	01/13/2017

1 DATE: 1/13/2017		This Document is the sole property of Trebor Manufacturing

Dimensions are in inches unless otherwise specified

PART NO: **TRIDPLSS2448**

DESCR: **24D" x 24H" x 48W" Under body tool box w/1 Stainless door Down hand , Locking f-handle**

MATERIAL: **0.125 Alum. Plain 3003-H14**

APROX. WEIGHT: **83.51 LB** USABLE VOL.: **14.43 CU. FT.**

TOLERANCES: **.xx ± 0.13" .xxx ± 0.010"**