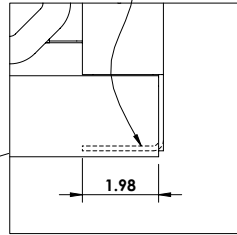
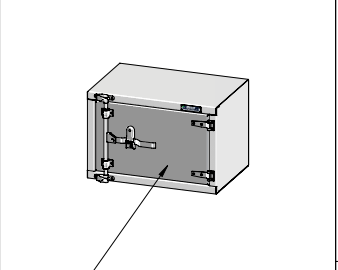
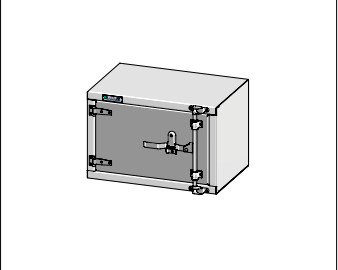


REINFORCEMENT FLANGE FORMED INTO RIGHT AND LEFT BOTTOM CORNERS

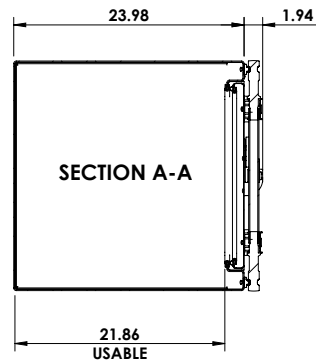
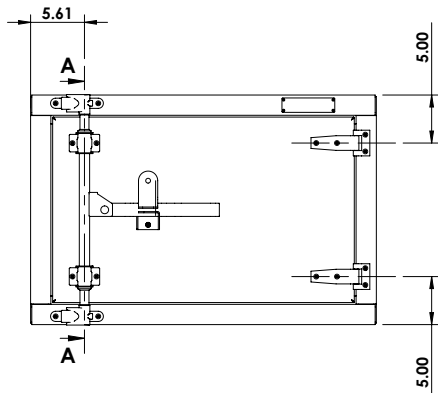


DETAIL B
SCALE 1 : 5

AVAILABLE CONFIGURATIONS



DOR IS MADE OF 18g SS Mirror 304



REVISIONS		
REV.	DESCRIPTION	DATE
1	INITIAL RELEASE	01/13/2017

REV: **1**
DATE: 1/13/2017

SHEET SCALE: 1:20 SHEET SIZE: 8.5" x 11"

This Document is the sole property of **Trebor Manufacturing**
PAGE: 1 OF 1

Dimensions are in inches unless otherwise specified

PARTNO: **TRIDPLSS2436P**

DESCR: **24D" x 24H" x 36W" Under body tool box w/1 Stainless door Right hand , Compression cam lock**

MATERIAL: **0.125 Alum. Plain 3003-H14**

APROX. WEIGHT: **77.09 LB** USABLE VOL.: **10.8 CU. FT.**

TOLERANCES: **.xx ± 0.13" .xxx ± 0.010"**