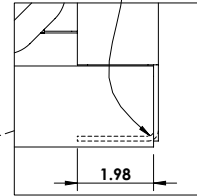
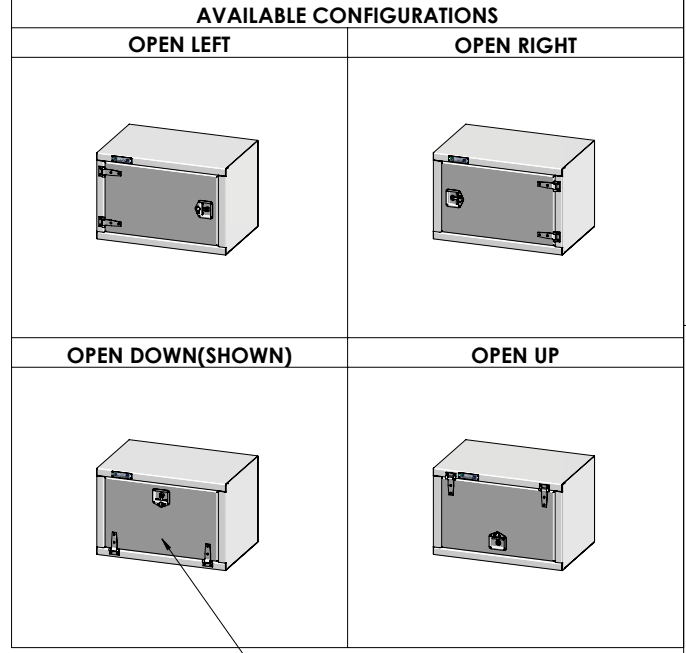


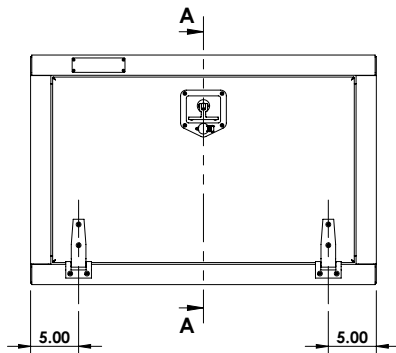
REINFORCEMENT FLANGE FORMED INTO RIGHT AND LEFT BOTTOM CORNERS



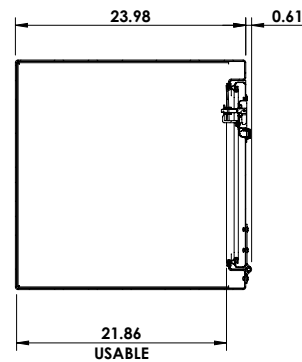
DETAIL B
SCALE 1 : 5



DOOR IS MADE OF 18g SS Mirror 304



SECTION A-A



REVISIONS		
REV.	DESCRIPTION	DATE
1	INITIAL RELEASE	01/13/2017

Dimensions are in inches unless otherwise specified	PARTNO: TRIDPLSS2436	MATERIAL: 0.125 Alum. Plain 3003-H14	REV: 1		This Document is the sole property of Trebor Manufacturing
	DESCR: 24D" x 24H" x 36W" Under body tool box w/1 Stainless door Down hand , Locking f-handle	APROX. WEIGHT: 67.70 LB	USABLE VOL.: 10.8 CU. FT.		
TOLERANCES: .xx ± 0.13" .xxx ± 0.010"			SHEET SCALE: 1:20	SHEET SIZE: 8.5" x 11"	PAGE: 1 OF 1