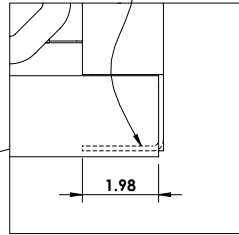
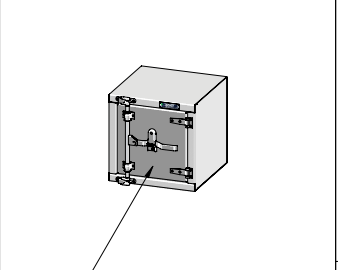
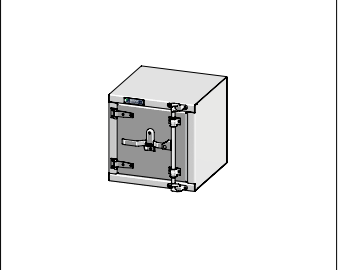


REINFORCEMENT FLANGE FORMED INTO RIGHT AND LEFT BOTTOM CORNERS

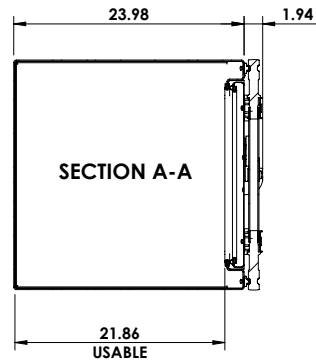
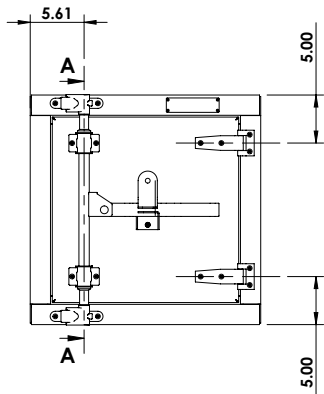


DETAIL B
SCALE 1 : 5

AVAILABLE CONFIGURATIONS



DOR IS MADE OF 18g SS Mirror 304



REVISIONS		
REV.	DESCRIPTION	DATE
1	INITIAL RELEASE	01/13/2017

REV: **1**
DATE: 1/13/2017

SHEET SCALE: 1:20 SHEET SIZE: 8.5" x 11"

This Document is the sole property of **Trebor Manufacturing**
PAGE: 1 OF 1

Dimensions are in inches unless otherwise specified

PARTNO: **TRIDPLSS2424P**
DESCR: **24D" x 24H" x 24W" Under body tool box w/1 Stainless door Right hand , Compression cam lock**

MATERIAL: **0.125 Alum. Plain 3003-H14**
APROX. WEIGHT: **61.28 LB** USABLE VOL.: **7.18 CU. FT.**
TOLERANCES: **.xx ± 0.13" .xxx ± 0.010"**

	1	2	3	4	5	6									
A					AVAILABLE CONFIGURATIONS										
B					OPEN LEFT		OPEN RIGHT (SHOWN)								
C					DOR IS MADE OF 18g SS Mirror 304										
D					PARTNO: TRIDPLSS2424P DESCR: 24D" x 24H" x 24W" Under body tool box w/1 Stainless door Right hand , Compression cam lock		MATERIAL: 0.125 Alum. Plain 3003-H14 APROX. WEIGHT: 61.28 LB USABLE VOL.: 7.18 CU. FT. TOLERANCES: .xx ± 0.13" .xxx ± 0.010"		<table border="1"> <thead> <tr> <th colspan="3">REVISIONS</th> </tr> <tr> <th>REV.</th> <th>DESCRIPTION</th> <th>DATE</th> </tr> </thead> <tbody> <tr> <td>1</td> <td>INITIAL RELEASE</td> <td>01/13/2017</td> </tr> </tbody> </table>		REVISIONS			REV.	DESCRIPTION
REVISIONS															
REV.	DESCRIPTION	DATE													
1	INITIAL RELEASE	01/13/2017													