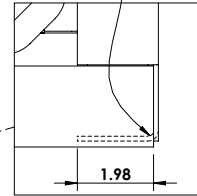
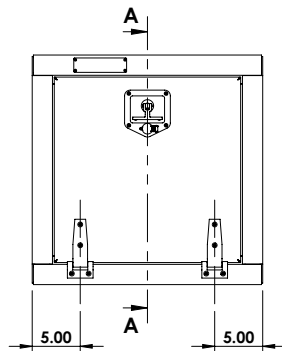


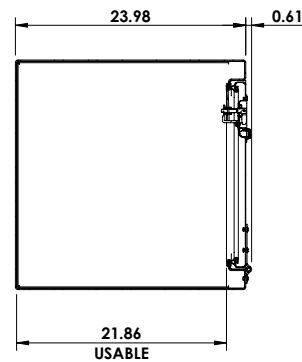
REINFORCEMENT FLANGE FORMED INTO RIGHT AND LEFT BOTTOM CORNERS



DETAIL B
SCALE 1 : 5



SECTION A-A



AVAILABLE CONFIGURATIONS	
OPEN LEFT	OPEN RIGHT
OPEN DOWN(SHOWN)	OPEN UP

DOOR IS MADE OF 18g SS Mirror 304

REVISIONS		
REV.	DESCRIPTION	DATE
1	INITIAL RELEASE	01/13/2017

REV: 1		This Document is the sole property of Trebor Manufacturing
DATE: 1/13/2017		
SHEET SCALE: 1:20	SHEET SIZE: 8.5" x 11"	PAGE: 1 OF 1

Dimensions are in inches unless otherwise specified

PARTNO: **TRIDPLSS2424**

DESCR: **24D" x 24H" x 24W" Under body tool box w/1 Stainless door Down hand , Locking f-handle**

MATERIAL: **0.125 Alum. Plain 3003-H14**

APROX. WEIGHT: **51.89 LB** USABLE VOL.: **7.18 CU. FT.**

TOLERANCES: **.xx ± 0.13" .xxx ± 0.010"**