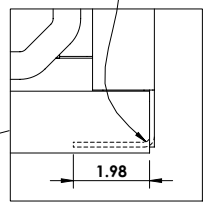
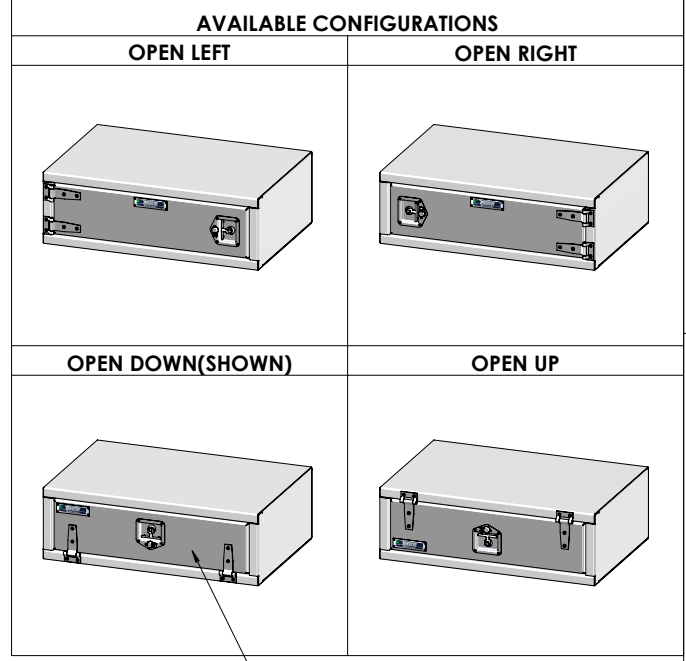


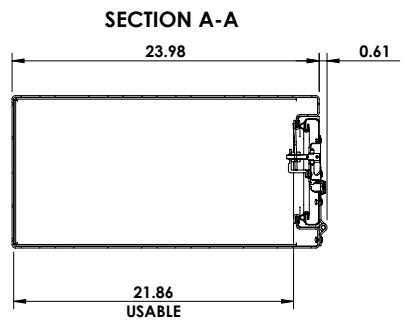
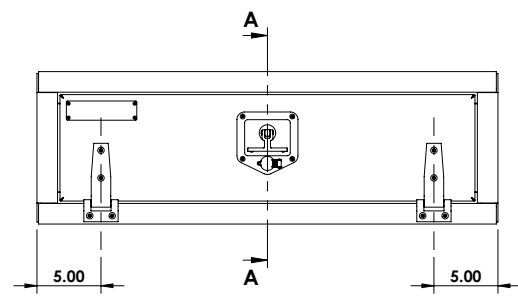
REINFORCEMENT FLANGE FORMED INTO RIGHT AND LEFT BOTTOM CORNERS



DETAIL B
SCALE 1 : 5



DOOR IS MADE OF 18g SS Mirror 304



REVISIONS		
REV.	DESCRIPTION	DATE
1	INITIAL RELEASE	01/13/2017

REV: 1		This Document is the sole property of Trebor Manufacturing
DATE: 1/13/2017		
SHEET SCALE: 1:15	SHEET SIZE: 8.5" x 11"	PAGE: 1 OF 1

Dimensions are in inches unless otherwise specified

PARTNO: **TRIDPLSS1236**

DESCR: **24D" x 12H" x 36W" Under body tool box w/1 Stainless door Down hand , Locking f-handle**

MATERIAL: **0.125 Alum. Plain 3003-H14**

APROX. WEIGHT: **48.18 LB** USABLE VOL.: **5.32 CU. FT.**

TOLERANCES: **.xx ± 0.13" .xxx ± 0.010"**