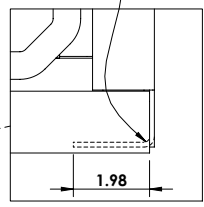
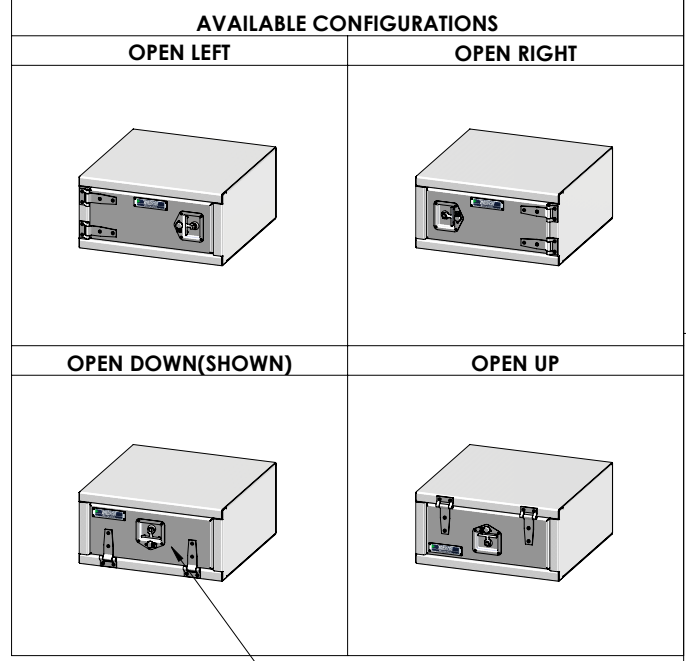


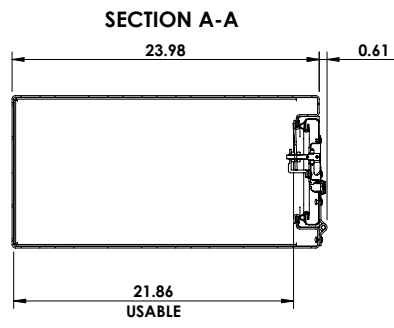
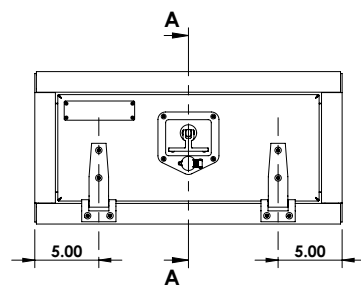
REINFORCEMENT FLANGE FORMED INTO RIGHT AND LEFT BOTTOM CORNERS



DETAIL B
SCALE 1 : 5



DOOR IS MADE OF 18g SS Mirror 304



REVISIONS		
REV.	DESCRIPTION	DATE
1	INITIAL RELEASE	01/13/2017

	This Document is the sole property of <i>Trebor Manufacturing</i>

Dimensions are in inches unless otherwise specified

PARTNO: **TRIDPLSS1224**
 DESCR: **24D" x 12H" x 24W" Under body tool box w/1 Stainless door Down hand , Locking f-handle**

MATERIAL: **0.125 Alum. Plain 3003-H14**
 APROX. WEIGHT: **36.05 LB** USABLE VOL.: **3.54 CU. FT.**
 TOLERANCES: **.xx ± 0.13" .xxx ± 0.010"**

REV: **1**
 DATE: **1/13/2017**