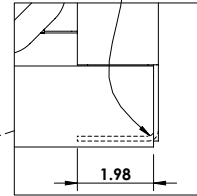
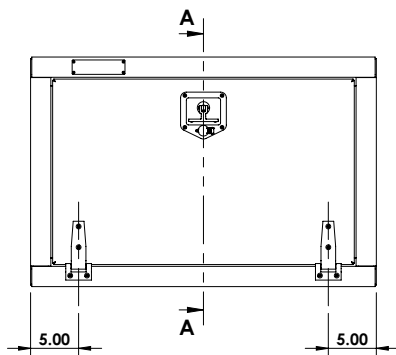
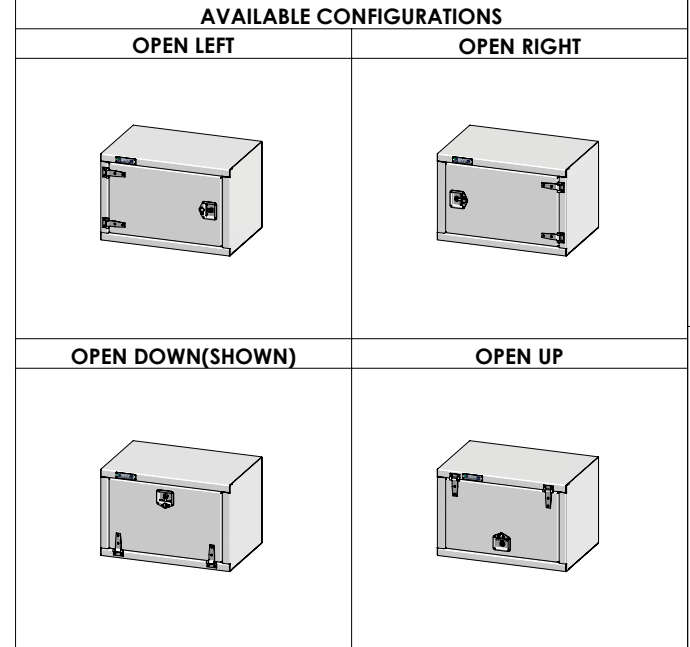


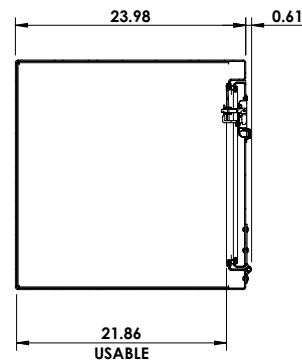
REINFORCEMENT FLANGE FORMED INTO RIGHT AND LEFT BOTTOM CORNERS



DETAIL B
SCALE 1 : 5



SECTION A-A



| REVISIONS | | |
|-----------|-----------------|------------|
| REV. | DESCRIPTION | DATE |
| 1 | INITIAL RELEASE | 01/12/2017 |

| | | | | | |
|---|--|---|----------------------------------|-------------------------------|---|
| Dimensions are in inches unless otherwise specified | PARTNO: TRIDPL2436 | MATERIAL: 0.125 Alum. Plain 3003-H14 | REV: 1 | | This Document is the sole property of <i>Trebor Manufacturing</i> |
| | DESCR: 24D" x 24H" x 36W" Under body tool box w/1 door Down hand , Locking t-handle | APROX. WEIGHT: 66.92 LB | USABLE VOL.: 10.8 CU. FT. | | |
| TOLERANCES: .xx ± 0.13" .xxx ± 0.010" | | | SHEET SCALE: 1:20 | SHEET SIZE: 8.5" x 11" | PAGE: 1 OF 1 |