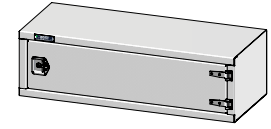
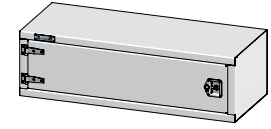


**AVAILABLE CONFIGURATIONS**

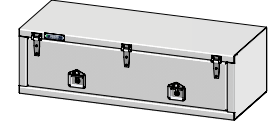
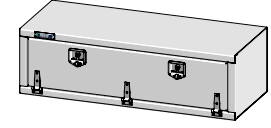
**OPEN LEFT**

**OPEN RIGHT**



**OPEN DOWN(SHOWN)**

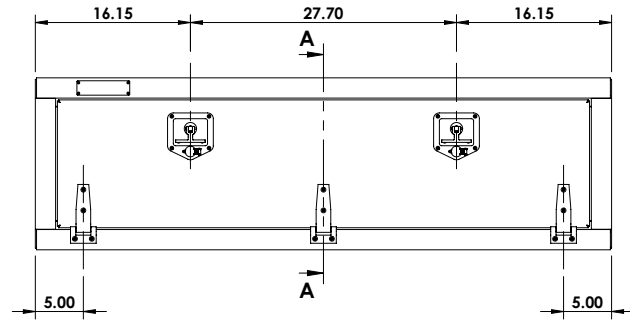
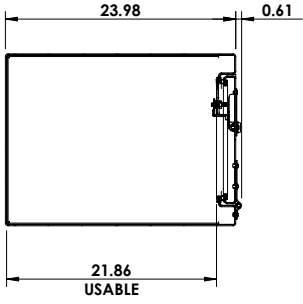
**OPEN UP**



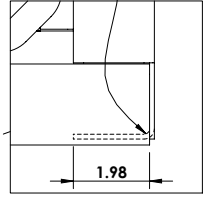
APROX. WEIGHT: **86.49 LB**

APROX. WEIGHT: **86.49 LB**

**SECTION A-A**



**REINFORCEMENT FLANGE FORMED INTO RIGHT AND LEFT BOTTOM CORNERS**



**DETAIL B  
SCALE 1 : 5**

REVISIONS		
REV.	DESCRIPTION	DATE
1	INITIAL RELEASE	01/12/2017

REV: **1**  
DATE: **1/12/2017**



This Document is the sole property of **Trebor Manufacturing**

SHEET SCALE: **1:20** SHEET SIZE: **8.5" x 11"** PAGE: **1 OF 1**

Dimensions are in inches unless otherwise specified

PART NO: **TRIDPL1860**

DESCR: **24D" x 18H" x 60W" Under body tool box w/1 door Down hand , Locking t-handle**

MATERIAL: **0.125 Alum. Plain 3003-H14**

APROX. WEIGHT: **86.49 LB** USABLE VOL.: **13.48 CU. FT.**

TOLERANCES: **.xx ± 0.13" .xxx ± 0.010"**