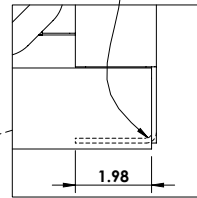
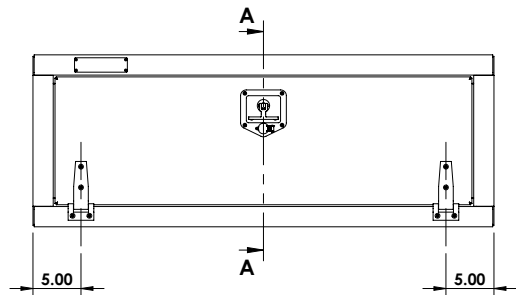
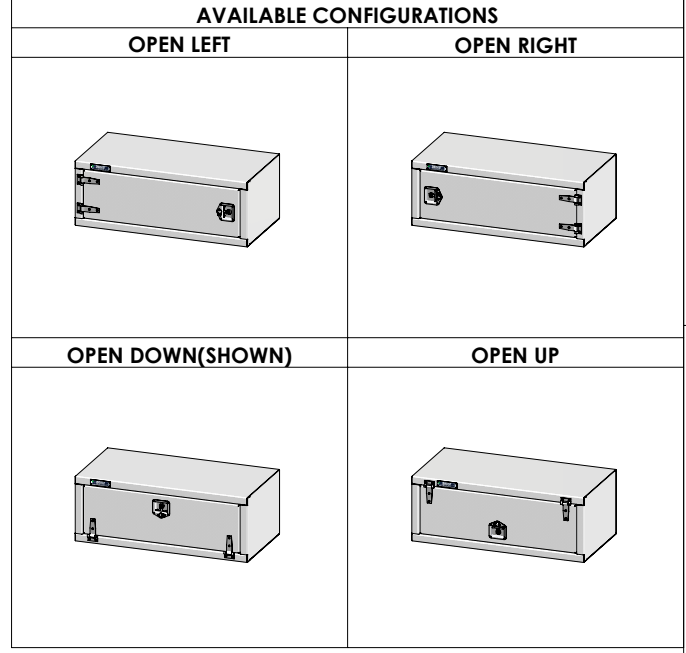


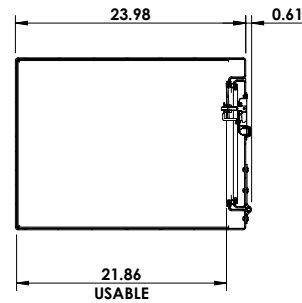
REINFORCEMENT FLANGE FORMED INTO RIGHT AND LEFT BOTTOM CORNERS



DETAIL B
SCALE 1 : 5



SECTION A-A



REVISIONS		
REV.	DESCRIPTION	DATE
1	INITIAL RELEASE	01/12/2017

	This Document is the sole property of <i>Trebor Manufacturing</i>

Dimensions are in inches unless otherwise specified

PART NO: **TRIDPL1848**

DESCR: **24D" x 18H" x 48W" Under body tool box w/1 door Down hand , Locking t-handle**

MATERIAL: **0.125 Alum. Plain 3003-H14**

APROX. WEIGHT: **71.01 LB** USABLE VOL.: **10.77 CU. FT.**

TOLERANCES: **.xx ± 0.13" .xxx ± 0.010"**

REV: **1**

DATE: **1/12/2017**