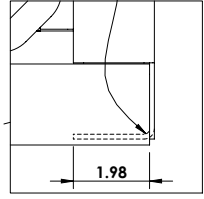
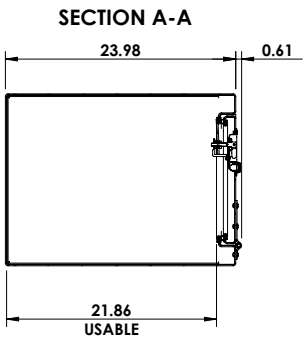
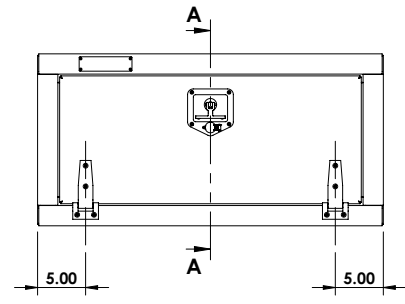
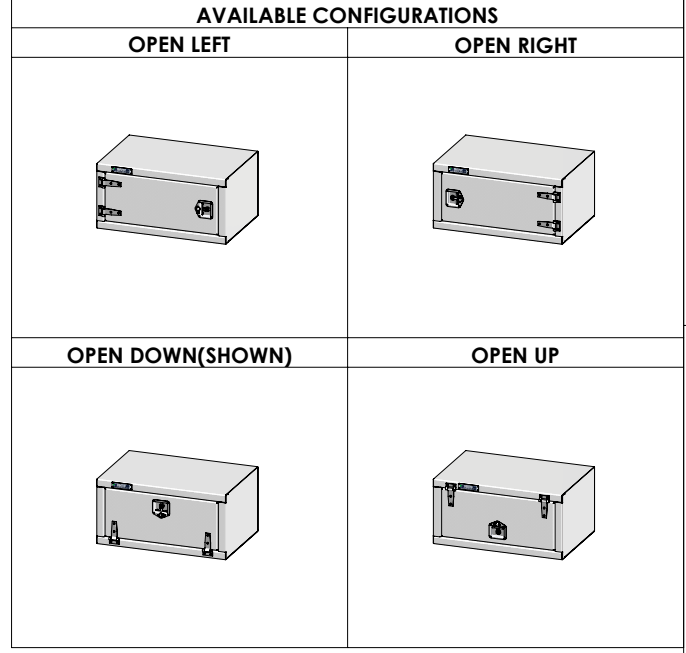


REINFORCEMENT FLANGE FORMED INTO RIGHT AND LEFT BOTTOM CORNERS



DETAIL B
SCALE 1 : 5



REVISIONS		
REV.	DESCRIPTION	DATE
1	INITIAL RELEASE	01/12/2017

	This Document is the sole property of Trebor Manufacturing

Dimensions are in inches unless otherwise specified

PART NO: **TRIDPL1836**

DESCR: **24D" x 18H" x 36W" Under body tool box w/1 door Down hand, Locking t-handle**

MATERIAL: **0.125 Alum. Plain 3003-H14**

APROX. WEIGHT: **57.25 LB** USABLE VOL.: **8.06 CU. FT.**

TOLERANCES: **.xx ± 0.13" .xxx ± 0.010"**

REV: **1**

DATE: **1/12/2017**